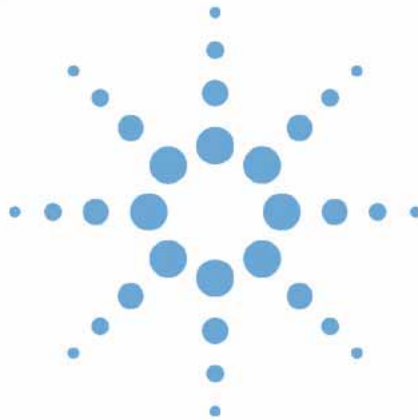




Agilent 1200 Series Variable Wavelength Detector

G1314B / G1314C (SL)



User Manual



Agilent Technologies

Notices

© Agilent Technologies, Inc. 2006

No part of this manual may be reproduced in any form or by any means (including electronic storage and retrieval or translation into a foreign language) without prior agreement and written consent from Agilent Technologies, Inc. as governed by United States and international copyright laws.

Manual Part Number

G1314-90010

Edition

02/06

Printed in Germany

Agilent Technologies
Hewlett-Packard-Strasse 8
76337 Waldbronn, Germany

Manual Structure

The **User Manual G1314-90010** (English) and its localized versions contain a subset of the Service Manual and is shipped with the detector in printed matter.

Latest versions of the manuals can be obtained from the Agilent web.

The **Service Manual G1314-90110** (English) contains the complete information about the Agilent 1200 Series Variable Wavelength Detector. It is available as Adobe Reader file (PDF) only.

Warranty

The material contained in this document is provided “as is,” and is subject to being changed, without notice, in future editions. Further, to the maximum extent permitted by applicable law, Agilent disclaims all warranties, either express or implied, with regard to this manual and any information contained herein, including but not limited to the implied warranties of merchantability and fitness for a particular purpose. Agilent shall not be liable for errors or for incidental or consequential damages in connection with the furnishing, use, or performance of this document or of any information contained herein. Should Agilent and the user have a separate written agreement with warranty terms covering the material in this document that conflict with these terms, the warranty terms in the separate agreement shall control.

Technology Licenses

The hardware and/or software described in this document are furnished under a license and may be used or copied only in accordance with the terms of such license.

Restricted Rights Legend

Software and technical data rights granted to federal government customers include only those rights customarily provided to end user Customers of Software. Agilent provides this customary commercial license in Software and technical data pursuant to FAR 12.211 (Technical Data) and FAR 12.212 (Computer Software) and, for Department of Defense purchases, DFARS 252.227-7015 (Technical Data - Commercial Items) and DFARS 227.7202-3 (Rights in Commercial Computer Software or Computer Software Documentation). If a federal government or other public sector Customer has a need for

rights not conveyed under these terms, it must negotiate with Agilent to establish acceptable terms in a written agreement executed by all relevant parties.

Safety Notices

CAUTION

A **CAUTION** notice denotes a hazard. It calls attention to an operating procedure, practice, or the like that, if not correctly performed or adhered to, could result in damage to the product or loss of important data. Do not proceed beyond a **CAUTION** notice until the indicated conditions are fully understood and met.

WARNING

A **WARNING** notice denotes a hazard. It calls attention to an operating procedure, practice, or the like that, if not correctly performed or adhered to, could result in personal injury or death. Do not proceed beyond a **WARNING** notice until the indicated conditions are fully understood and met.

In This Manual...

This manual covers the Agilent 1200 Series Variable Wavelength Detectors

G1314B Agilent 1200 Series VWD

G1314C Agilent 1200 Series VWD-SL

1 Introduction to the Variable Wavelength Detector

This chapter gives an introduction to the detector, instrument overview and internal connectors.

2 Site Requirements and Specifications

This chapter gives information on environmental requirements, physical and performance specifications.

3 Installing the Detector

This chapter describes the installation of the detector.

4 Using the Detector

This chapter provides information on how to set up the detector for an analysis and explains the basic settings.

5 How to optimize the detector

This chapter gives hints on how to select the detector parameters and the flow cell.

7 Maintenance and Repair

This chapter provides general information on maintenance and repair of the detector.

8 Maintenance

This chapter describes the maintenance of the detector.

9 Parts and Materials for Maintenance

This chapter provides information on parts for maintenance.

A Appendix

This chapter provides addition information on safety, legal and web.

Contents

1 Introduction to the Variable Wavelength Detector

Introduction to the Detector	10
Optical System Overview	11
Electrical Connections	15
Instrument Layout	17
Early Maintenance Feedback (EMF)	18
EMF Counter	18
Using the EMF Counters	18

2 Site Requirements and Specifications

Site Requirements	22
Physical Specifications	24
Performance Specifications	25

3 Installing the Detector

Unpacking the Detector	28
Optimizing the Stack Configuration	30
Installing the Detector	33
Flow Connections to the Detector	36

4 Using the Detector

Setting up an Analysis	40
Before Using the System	40
Requirements and Conditions	42

	Optimization of the System	44
	Preparing the HPLC System	45
	Running the Sample and Verifying the Results	54
	Special Settings of the Detector	55
	Control Settings	55
	Online Spectra	56
	Scanning with the VWD	57
	Analog Output Settings	59
	Special Setpoints	60
	Peakwidth Settings	61
	Optimizing the Detector	63
5	How to optimize the detector	
	Optimizing the Detector Performance	66
	Match the Flow Cell to the Column	66
	Set the Detector Parameters	69
6	Troubleshooting and Diagnostics	
	Overview of the Detector's Indicators and Test Functions	72
	Status Indicators	73
	Power Supply Indicator	73
	Detector Status Indicator	74
	User Interfaces	75
	Agilent LC Diagnostic Software	76
7	Maintenance and Repair	
	Introduction to Maintenance and Repair	78
	Simple Repairs - Maintenance	78
	Exchanging Internal Parts - Repair	78
	Warnings and Cautions	79

Cleaning the Detector 80

Using the ESD Strap 81

8 Maintenance

Overview of Maintenance 84

Exchanging a Lamp 85

Exchanging a Flow Cell 87

Repairing the Flow Cells 90

Using the Cuvette Holder 94

Correcting Leaks 97

Replacing Leak Handling System Parts 98

Replacing the Interface Board 99

Replacing the Detector's Firmware 100

Tests & Calibrations 101

Intensity Test 102

Wavelength Verification/Calibration 104

Holmium Oxide Test 105

9 Parts and Materials for Maintenance

Overview of Maintenance Parts 110

Standard Flow Cell 111

Micro Flow Cell 112

Semi-micro Flow Cell 113

High Pressure Flow Cell 115

Cuvette Holder 116

Leak Parts 117

Accessory Kit 118

A Appendix

General Safety Information 120

Lithium Batteries Information 123

Radio Interference 124

Sound Emission 125

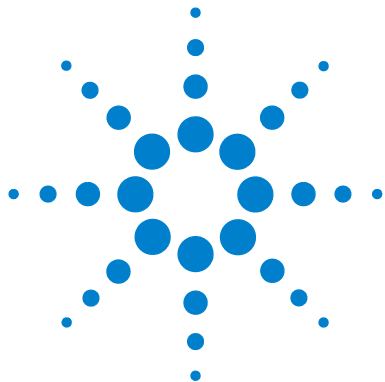
UV-Radiation 126

Solvent Information 127

Declaration of Conformity for HOX2 Filter 129

Agilent Technologies on Internet 130

Index



1 Introduction to the Variable Wavelength Detector

Introduction to the Detector	10
Optical System Overview	11
Flow Cell	12
Electrical Connections	15
Instrument Layout	17
Early Maintenance Feedback (EMF)	18

This chapter gives an introduction to the detector, instrument overview and internal connectors.



Introduction to the Detector

The Agilent 1200 Series variable wavelength detector is designed for highest optical performance, GLP compliance and easy maintenance with:

- higher data rate (27/55Hz) for fast-HPLC with G1314C VWD-SL, see [“Set the Detector Parameters”](#) on page 69,
- deuterium lamp for highest intensity and lowest detection limit over a wavelength range of 190 to 600 nm,
- optional flow-cell cartridges (standard 10 mm 14 µl, high pressure 10 mm 14 µl, micro 5 mm 1 µl, semi-micro 6 mm 5 µl) are available and can be used depending on the application needs,
- easy front access to lamp and flow cell for fast replacement, and
- built-in holmium oxide filter for fast wavelength accuracy verification.

For specifications [“Performance Specifications”](#) on page 25.

Two version of the Agilent 1200 Series variable wavelength detector are available:

G1314B VWD	1200 Series Variable Wavelength Detector standard version
G1314C VWD-SL	1200 Series Variable Wavelength Detector SL high data rates for fast HPLC

NOTE

The G1314C VWD-SL can be operated with a G1323B Control Module just in standard mode as G1314B - no higher data rate selection is available.

Optical System Overview

The optical system of the detector is shown in [Figure 1](#). Its radiation source is a deuterium-arc discharge lamp for the ultraviolet (UV) wavelength range from 190 to 600 nm. The light beam from the deuterium lamp passes through a lens, a filter assembly (in position none, cut-off or holmium oxide), an entrance slit, a spherical mirror (M1), a grating, a second spherical mirror (M2), a beam splitter, and finally through a flow cell to the sample diode. The beam through the flow cell is absorbed depending on the solutions in the cell, in which UV absorption takes place, and the intensity is converted to an electrical signal by means of the sample photodiode. Part of the light is directed to the reference photodiode by the beam splitter to obtain a reference signal for compensation of intensity fluctuation of the light source. A slit in front of the reference photodiode cuts out light of the sample bandwidth. Wavelength selection is made by rotating the grating, which is driven directly by a stepper motor. This configuration allows fast change of the wavelength. The cutoff filter is moved into the lightpath above 370 nm to reduce higher order light.

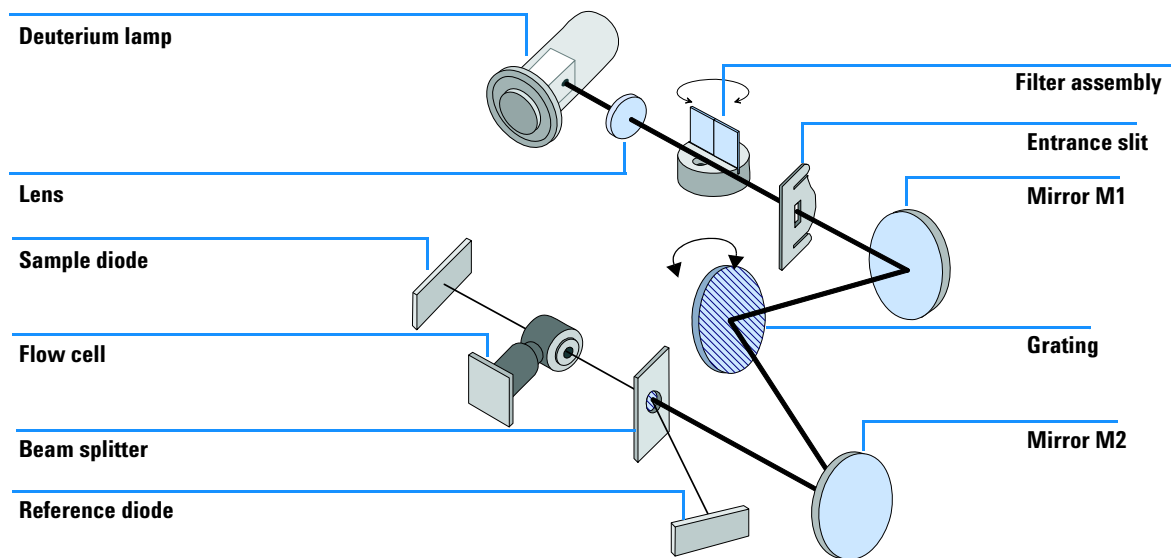


Figure 1 Optical Path of the Variable Wavelength Detector

1 Introduction to the Variable Wavelength Detector

Flow Cell

A variety of flow-cell cartridges can be inserted using the same quick and simple mounting system.

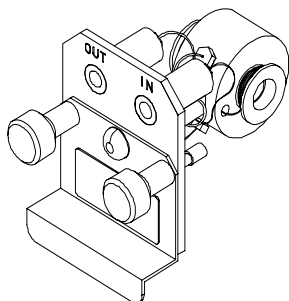


Figure 2 Cartridge Type Flow Cell

Table 1 Flow Cell Data

	STD	Semi-micro	High Pressure	Micro	
Maximum pressure	40 (4)	40 (4)	400 (40)	40 (4)	bar (MPa)
Path length	10 (conical)	6 (conical)	10 (conical)	5	mm
Volume	14	5	14	1	μl
Inlet i.d.	0.17	0.17	0.17	0.1	mm
Inlet length	750	750	750	555	mm
Outlet i.d.	0.25	0.25	0.25	0.25	mm
Outlet length	120	120	120	120	mm
Materials in contact with solvent	SST, quartz, PTFE, PEEK	SST, quartz, PTFE	SST, quartz, Kapton	SST, quartz, PTFE	

Lamp

The light source for the UV wavelength range is a deuterium lamp. As a result of plasma discharge in a low pressure deuterium gas, the lamp emits light over the 190 to 600 nm wavelength range.

Source Lens Assembly

The source lens receives the light from the deuterium lamp and focuses it onto the entrance slit.

Entrance Slit Assembly

The entrance slit assembly has an exchangeable slit. The standard one has a 1-mm slit. For replacement and calibration purposes to optimize the alignment, a slit with a hole is needed.

Filter Assembly

The filter assembly is electromechanically actuated. During wavelength calibrations it moves into the light path.

The filter assembly has two filters installed and is processor-controlled.

OPEN	nothing in light path
CUTOFF	cut off filter in light path at $\lambda > 370$ nm
HOLMIUM	holmium oxide filter for wavelength check.

A photo sensor determines the correct position.

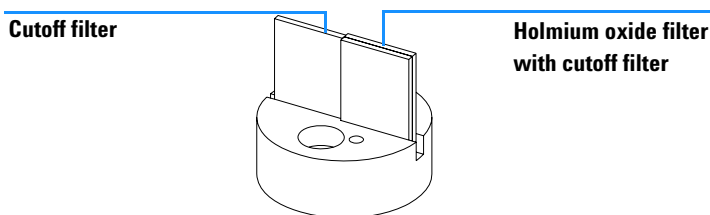


Figure 3 Filter Assembly

Mirror Assemblies M1 and M2

The instrument contains two spherical mirrors (M1 and M2). The beam adjustable is vertically and horizontally. Both mirrors are identical.

Grating Assembly

The grating separates the light beam into all its component wavelengths and reflects the light onto mirror #2.

Beam Splitter Assembly

The beam splitter splits the light beam. One part goes directly to the sample diode. The other part of the light beam goes to the reference diode.

Photo Diodes Assemblies

Two photo diode assemblies are installed in the optical unit. The sample diode assembly is located on the left side of the optical unit. The reference diode assembly is located in the front of the optical unit.

Photo Diode ADC (analog-to-digital converter)

The photo diode current is directly converted to 20-bit digital data direct photo current digitalization. The data is transferred to the detector main board (VWM). The photo diode ADC boards are located close to the photo diodes.

Electrical Connections

- The GPIB connector (G1314B only) is used to connect the detector with a computer. The address and control switch module next to the GPIB connector determines the GPIB address of your detector. The switches are preset to a default address and is recognized once after power is switched ON.
- The CAN bus is a serial bus with high speed data transfer. The two connectors for the CAN bus are used for internal Agilent 1200 Series module data transfer and synchronization.
- One analog output provides signals for integrators or data handling systems.
- The interface board slot is used for external contacts and BCD bottle number output or LAN connections.
- The REMOTE connector may be used in combination with other analytical instruments from Agilent Technologies if you want to use features such as start, stop, common shut down, prepare, and so on.
- With the appropriate software, the RS-232C connector may be used to control the module from a computer through a RS-232C connection. This connector is activated and can be configured with the configuration switch. See your software documentation for further information.
- The power input socket accepts a line voltage of 100 – 240 volts AC \pm 10% with a line frequency of 50 or 60 Hz. Maximum power consumption is 220 VA. There is no voltage selector on your module because the power supply has wide-ranging capability. There are no externally accessible fuses, because automatic electronic fuses are implemented in the power supply. The security lever at the power input socket prevents the module cover from being taken off when line power is still connected.

WARNING

Never use cables other than the ones supplied by Agilent Technologies to ensure proper functionality and compliance with safety or EMC regulations.

1 Introduction to the Variable Wavelength Detector

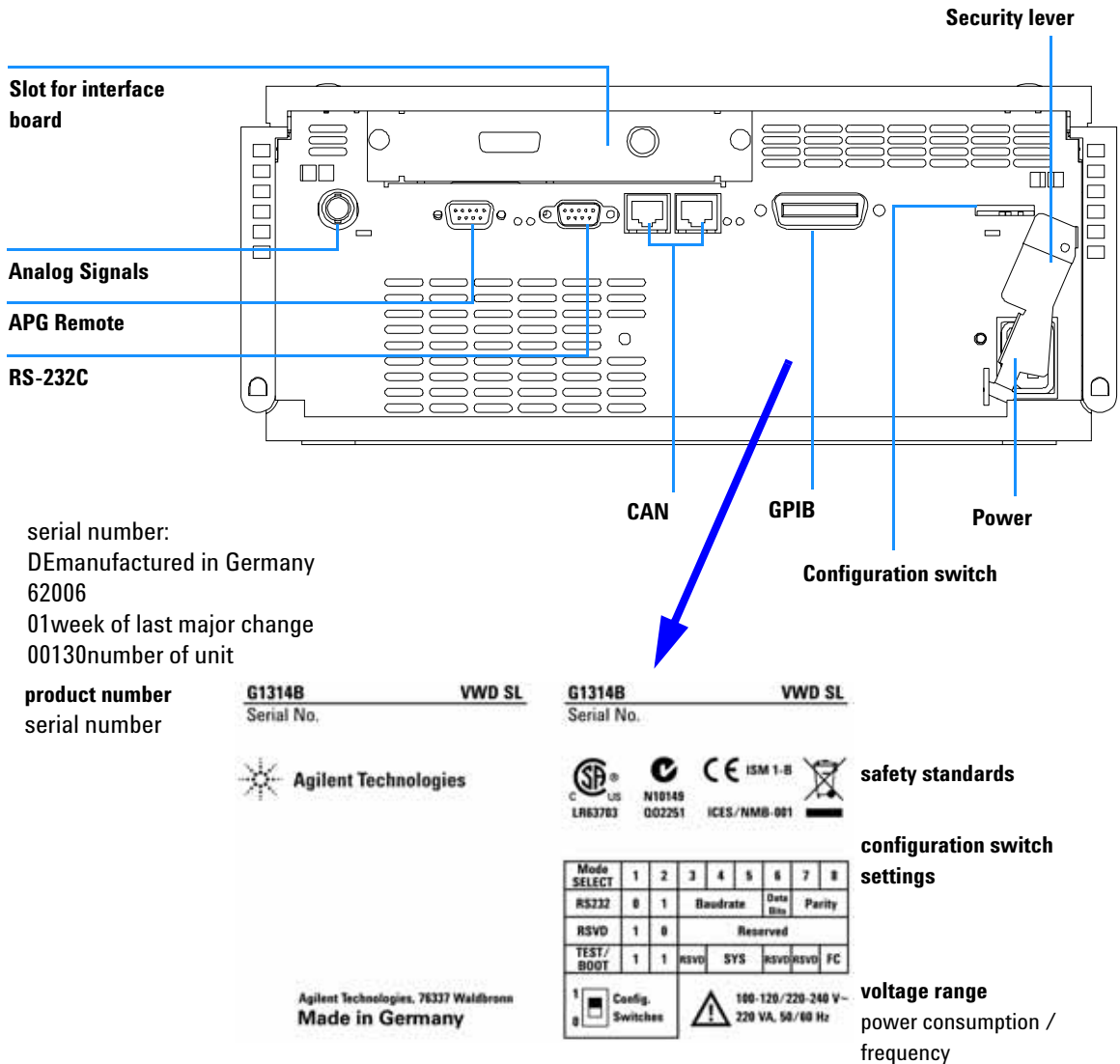


Figure 4 Rear View of Detector - Electrical Connections and Label

NOTE

The G1314C VWD-SL has no GPIB connector.

Instrument Layout

The industrial design of the module incorporates several innovative features. It uses Agilent's E-PAC concept for the packaging of electronics and mechanical assemblies. This concept is based upon the use of expanded polypropylene (EPP) layers foam plastic spacers in which the mechanical and electronic boards components of the module are placed. This pack is then housed in a metal inner cabinet which is enclosed by a plastic external cabinet. The advantages of this packaging technology are:

- virtual elimination of fixing screws, bolts or ties, reducing the number of components and increasing the speed of assembly/disassembly,
- the plastic layers have air channels molded into them so that cooling air can be guided exactly to the required locations,
- the plastic layers help cushion the electronic and mechanical parts from physical shock, and
- the metal inner cabinet shields the internal electronics from electromagnetic interference and also helps to reduce or eliminate radio frequency emissions from the instrument itself.

Early Maintenance Feedback (EMF)

Maintenance requires the exchange of components which are subject to wear or stress. Ideally, the frequency at which components are exchanged should be based on the intensity of usage of the instrument and the analytical conditions, and not on a predefined time interval. The early maintenance feedback (EMF) feature monitors the usage of specific components in the instrument, and provides feedback when the user-selectable limits have been exceeded. The visual feedback in the user interface provides an indication that maintenance procedures should be scheduled.

EMF Counter

The detector module provides a EMF counter for the lamp. The counter increments with lamp use, and can be assigned a maximum limit which provides visual feedback in the user interface when the limit is exceeded. The counter can be reset to zero after the lamp is exchanged. The detector provides the following EMF counters:

- Deuterium Lamp On-Time

Using the EMF Counters

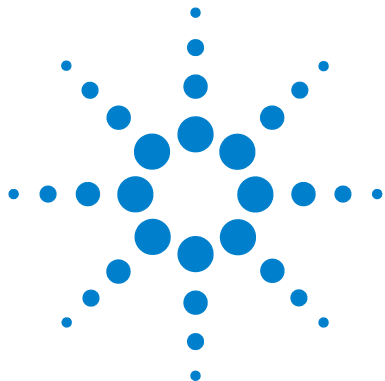
The user-settable EMF limits for the EMF counter enables the early maintenance feedback to be adapted to specific user requirements. The useful lamp burn time is dependent on the requirements for the analysis (high or low sensitivity analysis, wavelength, and so on), therefore, the definition of the maximum limits need to be determined based on the specific operating conditions of the instrument.

Setting the EMF Limits

The setting of the EMF limits must be optimized over one or two maintenance cycles. Initially, no EMF limit should be set. When instrument performance indicates maintenance is necessary, take note of the values displayed by lamp

counters. Enter these values (or values slightly less than the displayed values) as EMF limits, and then reset the EMF counters to zero. The next time the EMF counters exceed the new EMF limits, the EMF flag will be displayed, providing a reminder that maintenance needs to be scheduled.

1 Introduction to the Variable Wavelength Detector



2 Site Requirements and Specifications

Site Requirements	22
Physical Specifications	24
Performance Specifications	25

This chapter gives information on environmental requirements, physical and performance specifications.



Site Requirements

A suitable environment is important to ensure optimal performance of the detector.

Power Consideration

The detector power supply has wide ranging capabilities (see [Table 2](#) on page 24). It accepts any line voltage in the above mentioned range. Consequently, there is no voltage selector in the rear of the detector. There are also no externally accessible fuses, because automatic electronic fuses are implemented in the power supply.

WARNING

To disconnect the detector from line, unplug the power cord. The power supply still uses some power, even if the power switch ON the front panel is turned OFF.

WARNING

Shock hazard or damage of your instrumentation can result, if the devices are connected to a line voltage higher than specified.

CAUTION

Make sure to have easy access to the power cable of the instrument, in order to disconnect the instrument from line.

Power Cords

Different power cords are offered as options with the detector. The female end of the power cords is identical. It plugs into the power-input socket at the rear of the detector. The male end of each power cord is different and designed to match the wall socket of a particular country or region.

WARNING

Never operate your instrumentation from a power outlet that has no ground connection. Never use a power cord other than the Agilent Technologies power cord designed for your region.

WARNING

Never use cables other than the ones supplied by Agilent Technologies to ensure proper functionality and compliance with safety or EMC regulations.

Bench Space

The detector dimensions and weight (see [Table 2](#) on page 24) allow to place the instrument on almost any desk or laboratory bench. It needs an additional 2.5 cm (1.0 inch) of space on either side and approximately 8 cm (3.1 inches) in the rear for air circulation and electric connections.

If the bench should carry a Agilent 1200 Series system, make sure that the bench is designed to bear the weight of all modules.

The detector should be operated in a horizontal position.

Environment

Your detector will work within specifications at ambient temperatures and relative humidity as described in [Table 2](#) on page 24.

ASTM drift tests require a temperature change below 2 °C/hour (3.6 °F/hour) measured over one hour period. Our published drift specification (refer also to "[Performance Specifications](#)" on page 25) is based on these conditions. Larger ambient temperature changes will result in larger drift.

Better drift performance depends on better control of the temperature fluctuations. To realize the highest performance, minimize the frequency and the amplitude of the temperature changes to below 1 °C/hour (1.8 °F/hour). Turbulences around one minute or less can be ignored.

CAUTION

Do not store, ship or use your detector under conditions where temperature fluctuations could cause condensation within the detector. Condensation will damage the system electronics. If your detector was shipped in cold weather, leave it in its box and allow it to warm up slowly to room temperature to avoid condensation.

Physical Specifications

Table 2 Physical Specifications

Type	Specification	Comments
Weight	11 kg 25 lbs	
Dimensions (height × width × depth)	140 × 345 × 435 mm 5.5 × 13.5 × 17 inches	
Line voltage	100 – 240 VAC, ± 10%	Wide-ranging capability
Line frequency	50 or 60 Hz, ± 5%	
Power consumption	220 VA, 85 W / 290 BTU	Maximum
Ambient operating temperature	0–55 °C (32–131 °F)	
Ambient non-operating temperature	-40–70 °C (-4–158 °F)	
Humidity	< 95%, at 25–40 °C (77–104 °F)	Non-condensing
Operating altitude	Up to 2000 m (6500 ft)	
Non-operating altitude	Up to 4600 m (14950 ft)	For storing the instrument
Safety standards: IEC, CSA, UL, EN	Installation Category II, Pollution Degree 2. For indoor use only.	

Performance Specifications

Table 3 Performance Specifications Agilent 1200 Series Variable Wavelength Detector

Type	Specification	Comments
Detection type	Double-beam photometer	
Light source	Deuterium lamp	
Wavelength range	190–600 nm	
Short term noise (ASTM)	$\pm 0.75 \times 10^{-5}$ AU at 254 nm	See NOTE on page 26 .
Drift	3×10^{-4} AU/hr at 254 nm	See NOTE on page 26
Linearity	> 2 AU (5%) upper limit	See NOTE on page 26
Wavelength accuracy	± 1 nm	Self-calibration with deuterium lines, verification with holmium oxide filter
Band width	6.5 nm typical	
Flow cells	Standard: 14- μ l volume, 10-mm cell path length and 40 bar (588 psi) pressure maximum High pressure: 14- μ l volume, 10-mm cell path length and 400 bar (5880 psi) pressure maximum Micro: 1- μ l volume, 5-mm cell path length and 40 bar (588 psi) pressure maximum Semi-micro: 5- μ l volume, 6-mm cell path length and 40 bar (588 psi) pressure maximum	Can be repaired on component level
Control and data evaluation	Agilent ChemStation for LC	
Analog outputs	Recorder/integrator: 100 mV or 1 V, output range 0.001 – 2 AU, one output	

2 Site Requirements and Specifications

Table 3 Performance Specifications Agilent 1200 Series Variable Wavelength Detector (continued)

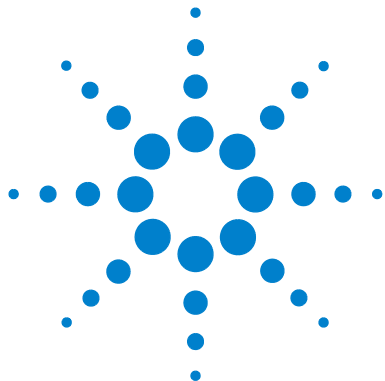
Type	Specification	Comments
Communications	Controller-area network (CAN), GPIB, RS-232C, APG Remote: ready, start, stop and shut-down signals, LAN optional	GPIB for G1314B only
Safety and maintenance	Extensive diagnostics, error detection and display (through control module and Agilent ChemStation), leak detection, safe leak handling, leak output signal for shutdown of pumping system. Low voltages in major maintenance areas.	
GLP features	Early maintenance feedback (EMF) for continuous tracking of instrument usage in terms of lamp burn time with user-settable limits and feedback messages. Electronic records of maintenance and errors. Verification of wavelength accuracy with built-in holmium oxide filter.	
Housing	All materials recyclable.	

NOTE

ASTM: "Standard Practice for Variable Wavelength Photometric Detectors Used in Liquid Chromatography".

Reference conditions: cell path length 10 mm, response time 2 s, flow 1 ml/min LC-grade methanol.

Linearity measured with caffeine at 265 nm.



3 Installing the Detector

Unpacking the Detector	28
Optimizing the Stack Configuration	30
Installing the Detector	33
Flow Connections to the Detector	36

This chapter describes the installation of the detector.



Unpacking the Detector

Damaged Packaging

If the delivery packaging shows signs of external damage, please call your Agilent Technologies sales and service office immediately. Inform your service representative that the detector may have been damaged during shipment.

CAUTION

If there are signs of damage, please do not attempt to install the detector.

Delivery Checklist

Ensure all parts and materials have been delivered with the detector. The delivery checklist is shown below. Please report missing or damaged parts to your local Agilent Technologies sales and service office.

Table 4 Variable Wavelength Detector Checklist

Description	Quantity
Variable wavelength detector	1
Power cable	1
Flow cell	As ordered
<i>User Manual</i>	1
Accessory kit (see Table 5 on page 29)	1

Detector Accessory Kit Contents

Table 5 Accessory Kit Contents

Description	Part Number	Quantity
Accessory kit	G1314-68705	
CAN cable 0.5 m	5181-1516	1
PEEK outlet capillary kit	5062-8535	1
Fitting male PEEK	0100-1516	1
Hex key 1.5 mm	8710-2393	1
Hex key 4 mm	8710-2392	1
Wrench open end 1/4 – 5/16 inch	8710-0510	1
Wrench open end 4 mm	8710-1534	1

Optimizing the Stack Configuration

If your detector is part of a complete Agilent 1200 Series system, you can ensure optimum performance by installing the following configuration. This configuration optimizes the system flow path, ensuring minimum delay volume.

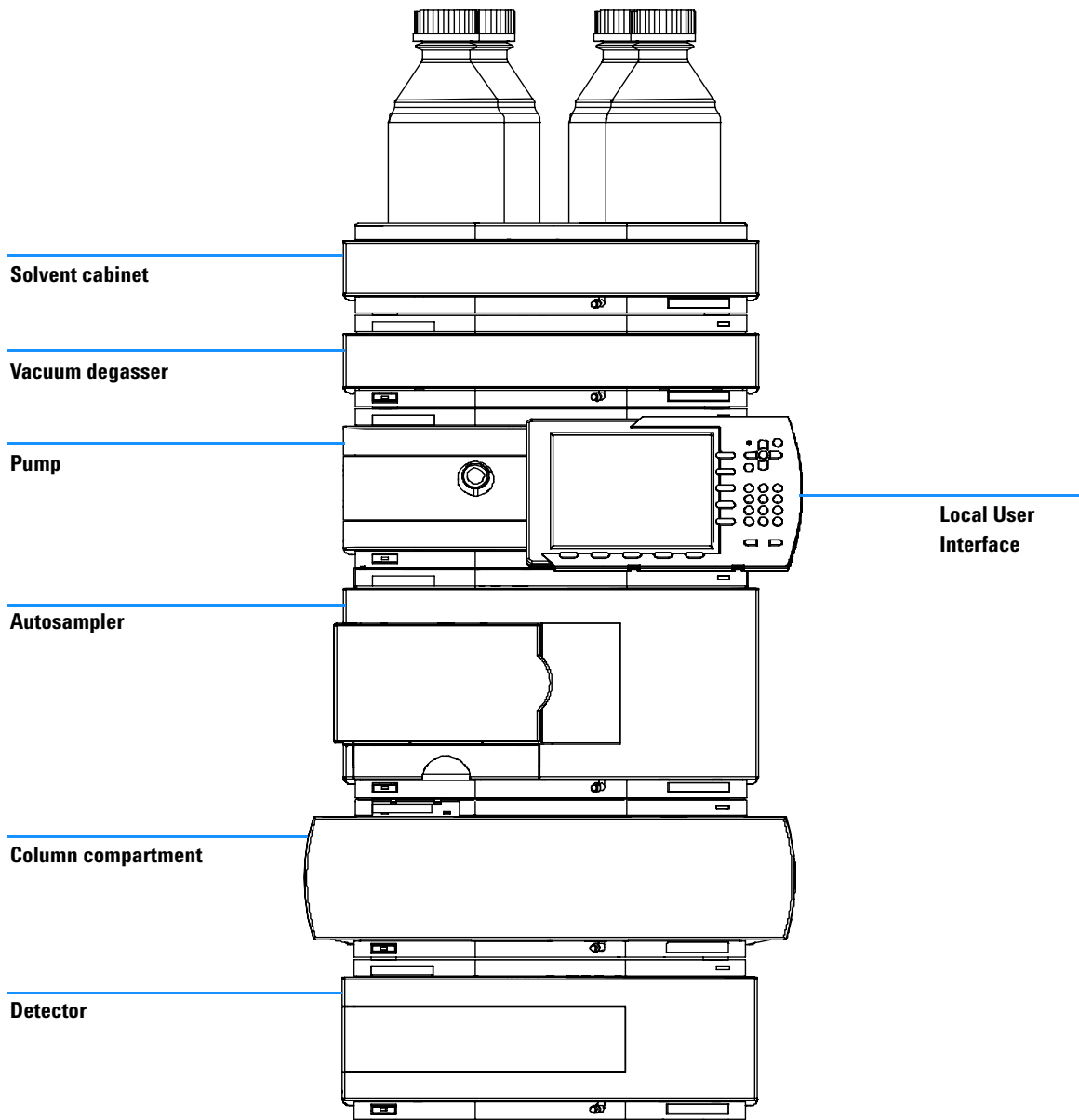


Figure 5 Recommended Stack Configuration (Front View)

3 Installing the Detector

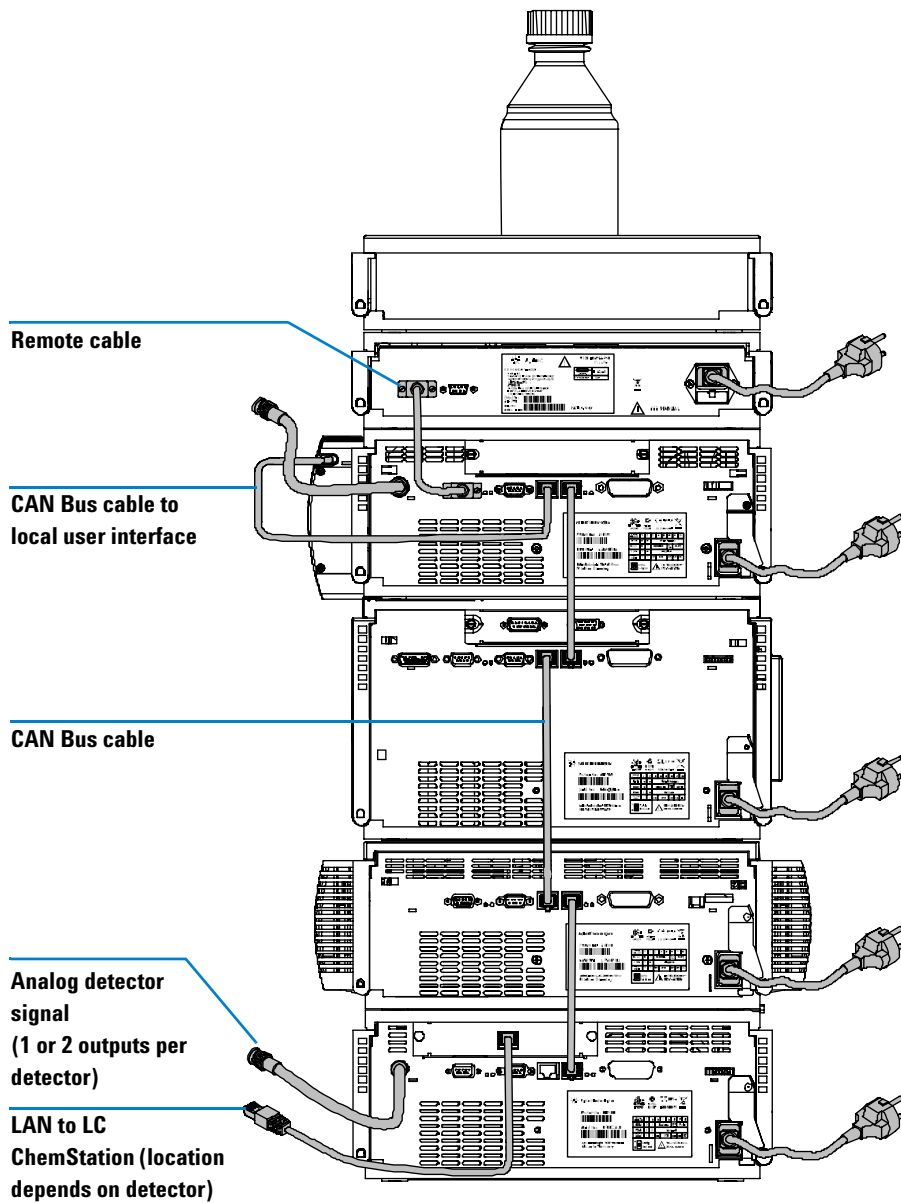


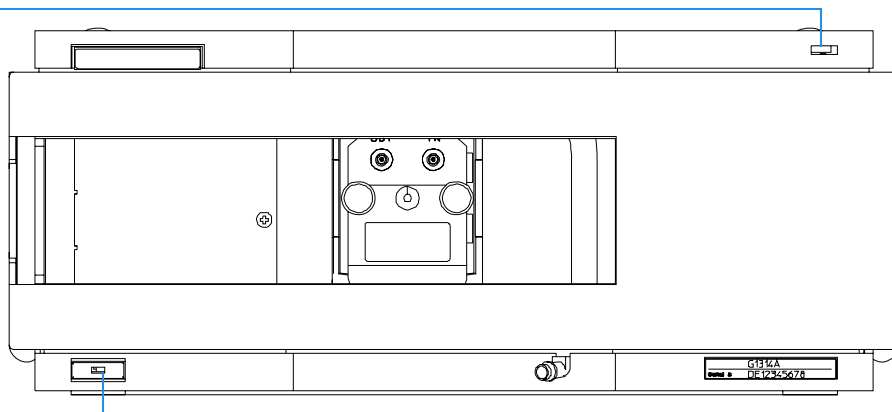
Figure 6 Recommended Stack Configuration (Rear View)

Installing the Detector

Preparations	Locate bench space. Provide power connections. Unpack the detector.
Parts required	Detector Power cord, for other cables see text below and "" on page 118 ChemStation and/or Control Module G1323B

- 1 Install the LAN interface board in the detector (if required), see [“Replacing the Interface Board”](#) on page 99.
- 2 Place the detector in the stack or on the bench in a horizontal position.
- 3 Ensure the line power switch at the front of the detector is OFF.

Status indicator
green/yellow/red



Line power switch
with green light

Figure 7 Front View of Detector

NOTE

The figure above shows the flow cell already installed. The flow cell area is closed with a metal cover. The flow cell has to be installed as described in [“Flow Connections to the Detector”](#) on page 36.

3 Installing the Detector

- 4 Connect the power cable to the power connector at the rear of the detector.
- 5 Connect the CAN cable to other Agilent 1200 Series modules.
- 6 If a Agilent ChemStation is the controller, connect either
 - the LAN connection to the LAN interface board in the detector

NOTE

If a Agilent 1200 DAD/MWD/FLD is in the system, the LAN should be connected to the DAD/MWD/FLD (due to higher data load).

- 7 Connect the analog cable (optional).
- 8 Connect the APG remote cable (optional) for non-Agilent 1200 Series instruments.
- 9 Turn ON power by pushing the button at the lower left-hand side of the detector. The status LED should be green.

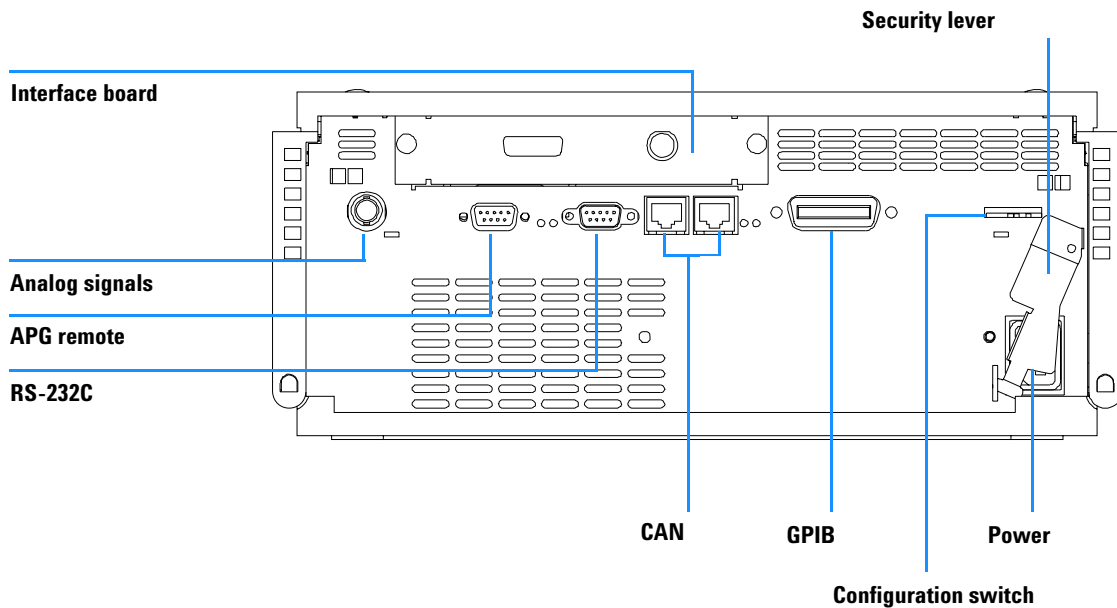


Figure 8 Rear View of Detector

NOTE

The detector is turned ON when the line power switch is pressed and the green indicator lamp is illuminated. The detector is turned OFF when the line power switch is protruding and the green light is OFF.

WARNING

To disconnect the detector from line, unplug the power cord. The power supply still uses some power, even if the power switch at the front panel is turned OFF.

NOTE

The detector was shipped with default configuration settings.

Flow Connections to the Detector

Preparations	Detector is installed in the LC system.
Parts required	Other modules Parts from accessory kit, see "Accessory Kit Contents" on page 29 Two wrenches 1/4–5/16 inch for capillary connections

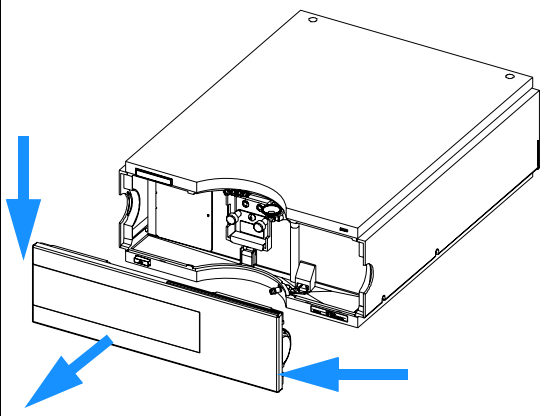
WARNING

When working with solvents please observe appropriate safety procedures (for example, goggles, safety gloves and protective clothing) as described in the material handling and safety data sheet supplied by the solvent vendor, especially when using toxic or hazardous solvents.

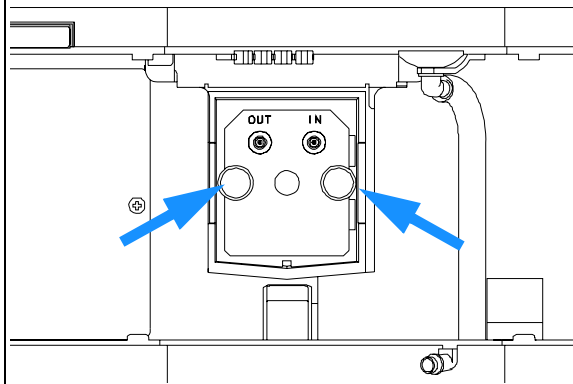
NOTE

The flow cell is shipped with a filling of isopropanol (also recommended when the instrument and/or flow cell is shipped to another location). This is to avoid breakage due to subambient conditions.

1 Press the release buttons and remove the front cover to have access to the flow cell area.

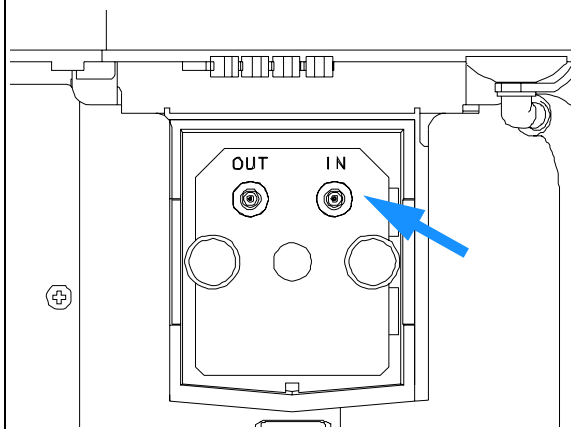


2 Remove the metal cover and install the flow cell. Tighten the cell screws.



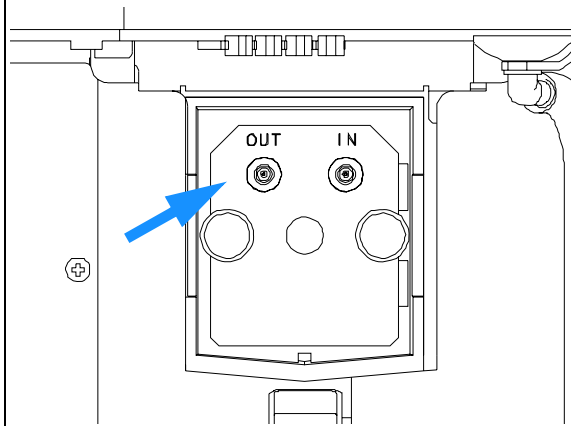
3 Assemble the column-detector capillary.
Depending on the flow cell type it may be a PEEK or SST capillary.

4 Connect the newly assembled fitting of the capillary to the inlet connector.



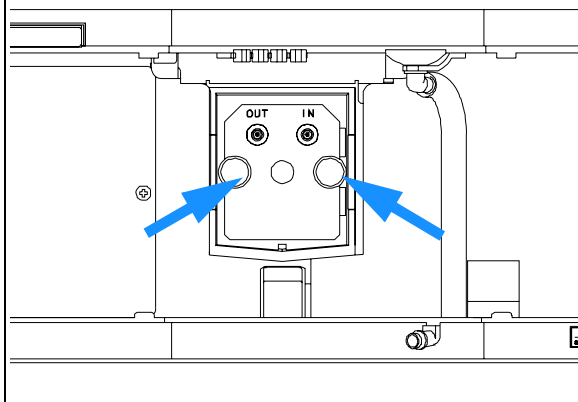
5 Connect the other end of the capillary to the column.

6 Connect the PEEK waste capillary to the outlet connector.

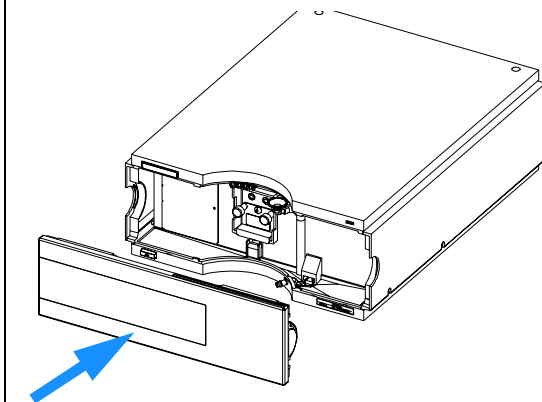


3 Installing the Detector

7 Establish a flow and observe for leakage.



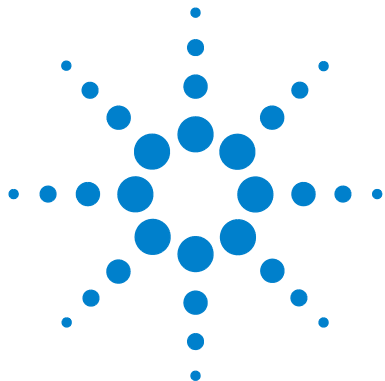
8 Replace the front cover.



The installation of the detector is now complete.

NOTE

The detector should be operated with the front cover in place to protect the flow cell area against strong drafts from the outside.



4 Using the Detector

Setting up an Analysis	40
Before Using the System	40
Requirements and Conditions	42
Optimization of the System	44
Preparing the HPLC System	45
Running the Sample and Verifying the Results	54
Special Settings of the Detector	55
Control Settings	55
Online Spectra	56
Scanning with the VWD	57
Analog Output Settings	59
Peakwidth Settings	61
Optimizing the Detector	63

This chapter provides information on how to set up the detector for an analysis and explains the basic settings.



Setting up an Analysis

This chapter can be used for

- preparing the system,
- to learn the set up of an HPLC analysis and
- to use it as an instrument check to demonstrate that all modules of the system are correctly installed and connected. It is not a test of the instrument performance.
- Learn about special settings

Before Using the System

Solvent Information

Observe recommendations on the use of solvents in chapter “Solvents” in the pump’s reference manual.

Priming and Purging the System

When the solvents have been exchanged or the pumping system has been turned off for a certain time (for example, overnight) oxygen will re-diffuse into the solvent channel between the solvent reservoir, vacuum degasser (when available in the system) and the pump. Solvents containing volatile ingredients will slightly lose these. Therefore priming of the pumping system is required before starting an application.

Table 6 Choice of Priming Solvents for Different Purposes

Activity	Solvent	Comments
After an installation	Isopropanol	Best solvent to flush air out of the system
When switching between reverse phase and normal phase (both times)	Isopropanol	Best solvent to flush air out of the system
After an installation	Ethanol or Methanol	Alternative to Isopropanol (second choice) if no Isopropanol is available
To clean the system when using buffers	Bidistilled water	Best solvent to re-dissolve buffer crystals
After a solvent change	Bidistilled water	Best solvent to re-dissolve buffer crystals
After the installation of normal phase seals (P/N 0905-1420)	Hexane + 5% Isopropanol	Good wetting properties

NOTE

The pump should never be used for priming empty tubings (never let the pump run dry). Use a syringe to draw enough solvent for completely filling the tubings to the pump inlet before continuing to prime with the pump.

- 1 Open the purge valve of your pump (by turning it counterclockwise) and set flow rate to 3-5 ml/min.
 - 2 Flush all tubes with at least 30 ml of solvent.
 - 3 Set flow to required value of your application and close the purge valve.
- Pump for approximately 10 minutes before starting your application.

Requirements and Conditions

What You Will Need

Table 7 lists the items you need to have for the set up of the analysis. Some of these are optional (not required for the basic system).

Table 7 What you will need

1200 system	Pump (plus degassing)
	Autosampler
	Detector, standard flow cell installed
	Agilent ChemStation (B.02.01 and above) or Instant Pilot G4208 (A.01.01 and above) (optional for basic operation) or Control Module G1323B (B.04.02 and above) (optional for basic operation), see note below.
	System should be correctly set up for LAN communication with the Agilent ChemStation
Column:	Zorbax Eclipse XDB-C18, 4.6 x 150 mm, 5 um Part No. 993967-902 or Part No. 5063-6600
Standard:	Part No. 01080-68704 0.15 wt.% dimethylphthalate, 0.15 wt.% diethylphthalate, 0.01 wt.% biphenyl, 0.03 wt.% o-terphenyl in methanol

NOTE

The G1314C VWD-SL can be operated with a G1323B Control Module just in standard mode as G1314B - no higher data rate selection is available.

Conditions

A single injection of the isocratic test standard is made under the conditions given in Table 8:

Table 8 Conditions

Flow	1.5 ml/minute
Stoptime	8 minutes
Solvent	100% (30% water/70% Acetonitrile)
Temperature	Ambient
Wavelength	sample 254 nm
Injection Volume	1 μ l

Typical Chromatogram

A typical chromatogram for this analysis is shown in [Figure 9](#). The exact profile of the chromatogram will depend on the chromatographic conditions. Variations in solvent quality, column packing, standard concentration and column temperature will all have a potential effect on peak retention and response.

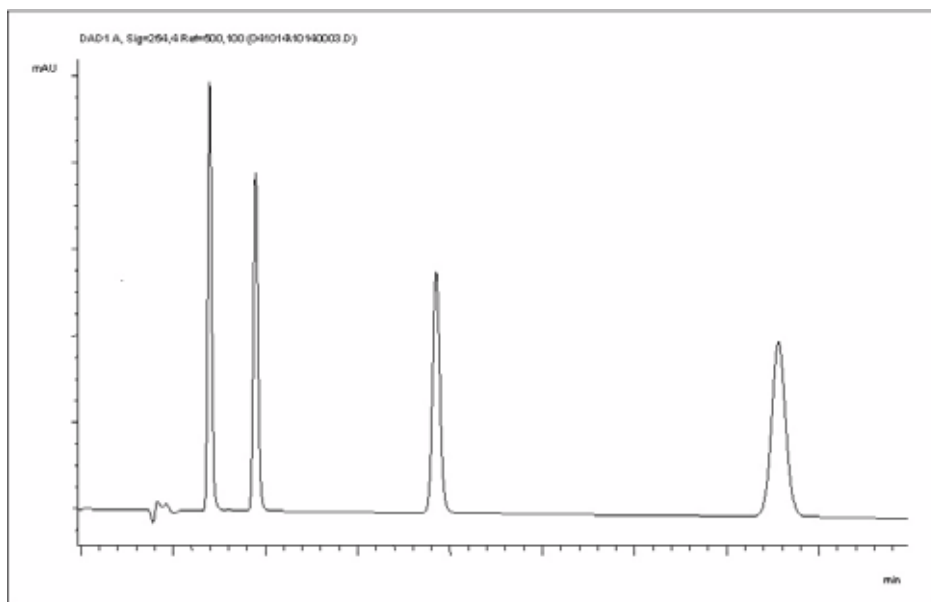


Figure 9 Typical Chromatogram with UV-detector

Optimization of the System

The settings used for this analysis are specific for this purpose. For other applications the system can be optimized in various ways. Please refer to the section [“Optimizing the Detector”](#) on page 63 or *“Optimizing”* in the your *module’s Reference Manual*.

Preparing the HPLC System

- 1 Turn on the Agilent ChemStation PC and the monitor.
- 2 Turn on the 1200 series HPLC modules.
- 3 Start the Agilent ChemStation software (B.02.01). If the pump, autosampler, thermostatted column compartment and detector are found, the ChemStation screen should look like shown in [Figure 10](#).

The System status is red (Not Ready).

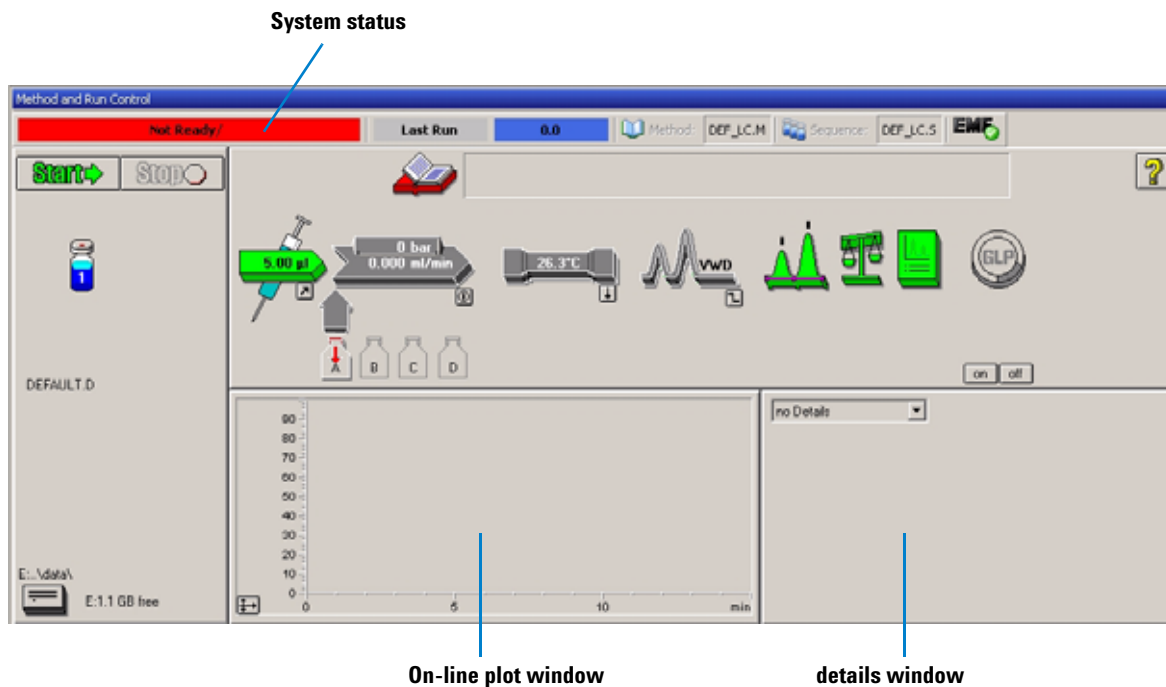


Figure 10 Initial ChemStation screen (Method and Run Control)

4 Using the Detector

- 4 Turn on the detector lamp, pump and autosampler by clicking the *System On* button or the buttons below the module icons on the graphical user interface (GUI). After some time, the pump, thermostatted column compartment and detector module will turn to green.

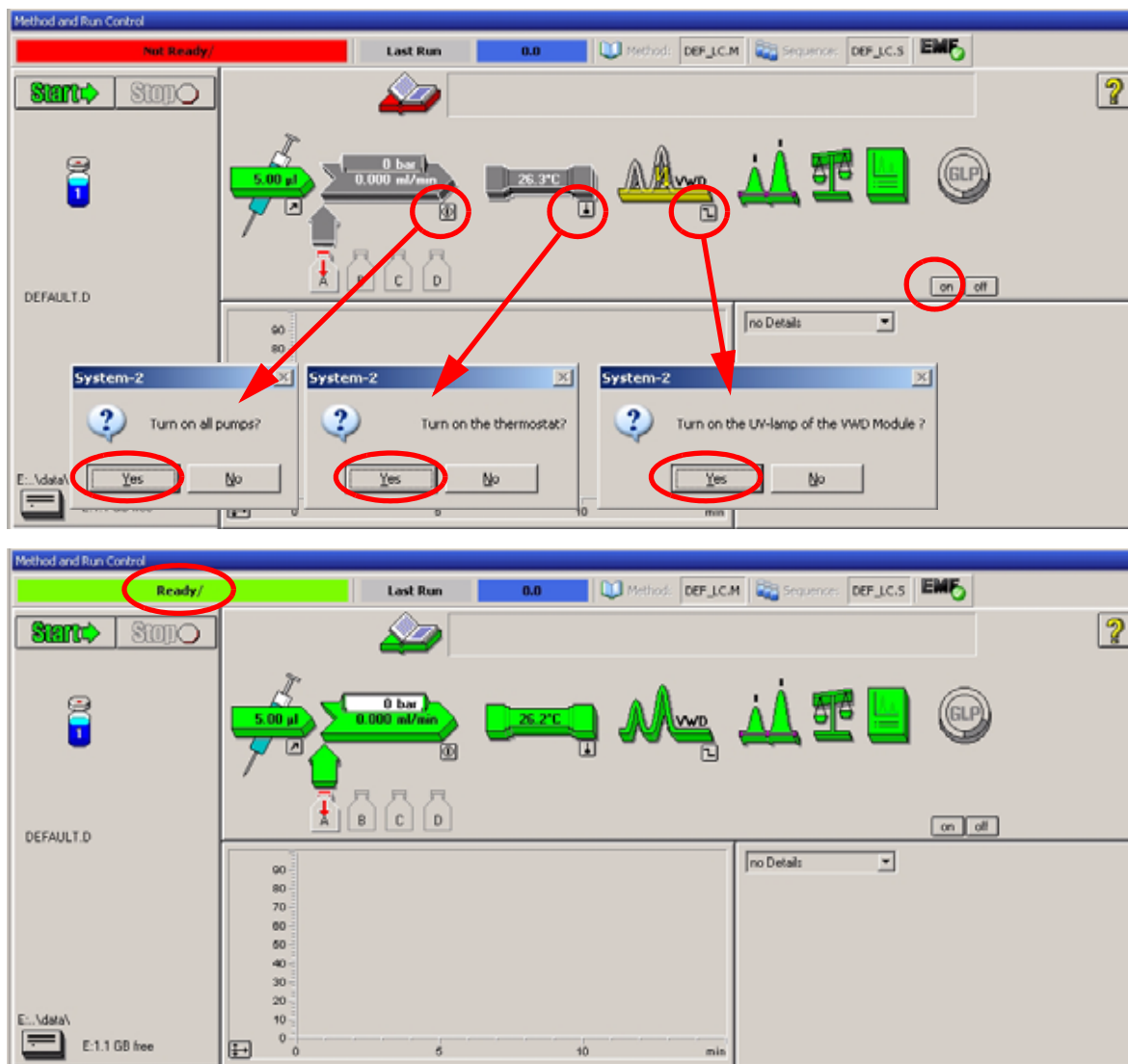


Figure 11 Turning on the HPLC Module

- 5 Purge the pump. For more information see “[Priming and Purging the System](#)” on page 40.
- 6 Allow the detector to warm up of at least 60 minutes to provide a stable baseline (see example in [Figure 12](#)).

NOTE

For reproducible chromatography, the detector and lamp should be on for at least one hour. Otherwise the detector baseline may still drift (depending on the environment).

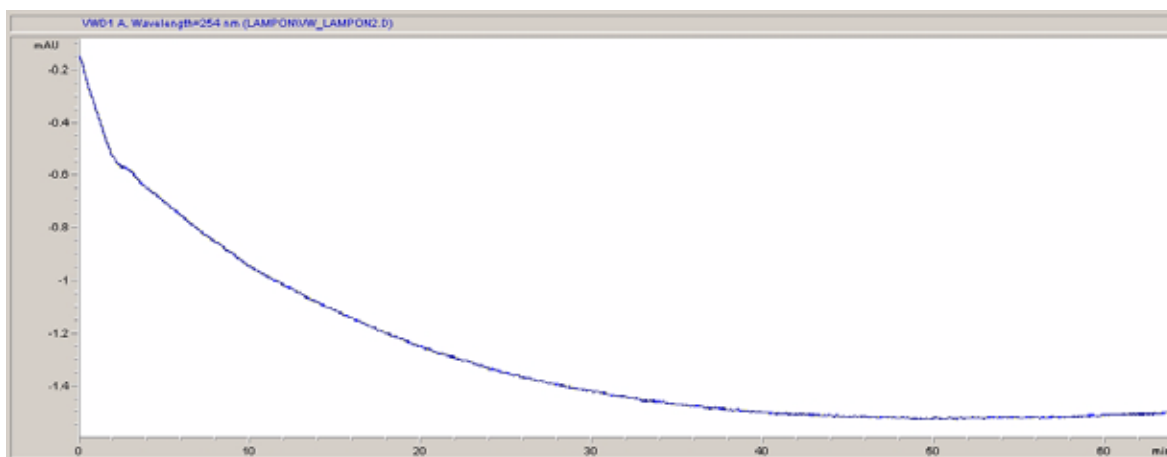


Figure 12 Stabilization of Baseline

4 Using the Detector

- 7 For the isocratic pump, fill the solvent bottle with the mixture of HPLC-grade bi-distilled water (30 %) and acetonitrile (70 %). For binary and quaternary pumps you can use separate bottles.
- 8 Click on the *Load Method* button and select DEF_LC.M and press *OK*. Alternative double-click on the method in the method window. The default LC method parameters are transferred into the 1200 modules.

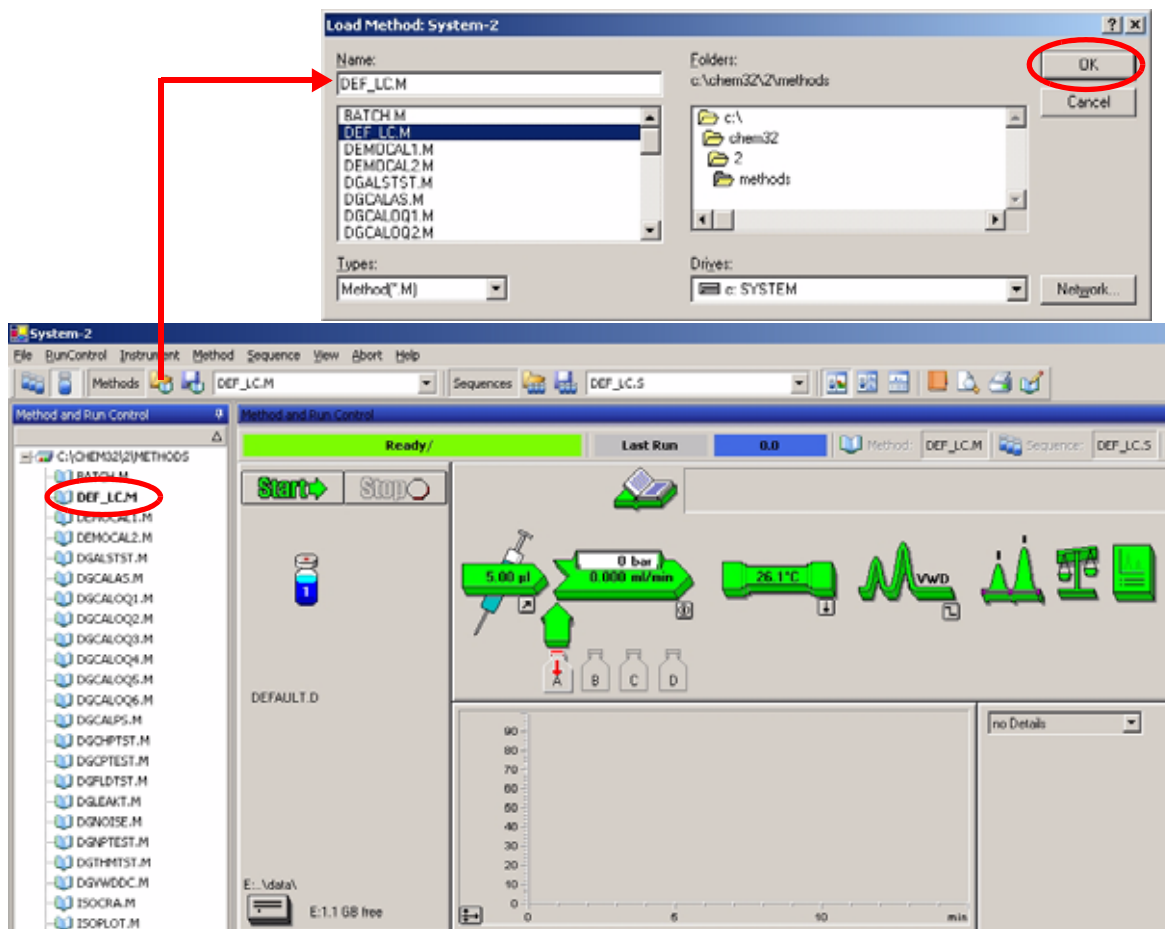


Figure 13 Loading Default LC Method

- 9 Click on the module icons (Figure 14) and open the *Setup* of these modules. Figure 15 on page 50 shows the detector settings (do not change the detector parameters at this time).

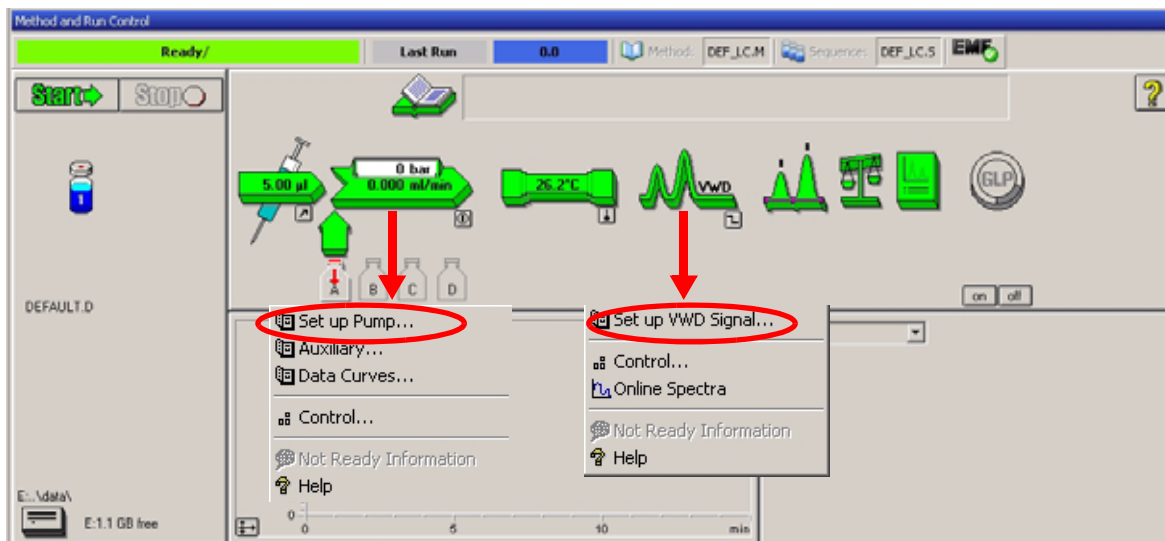
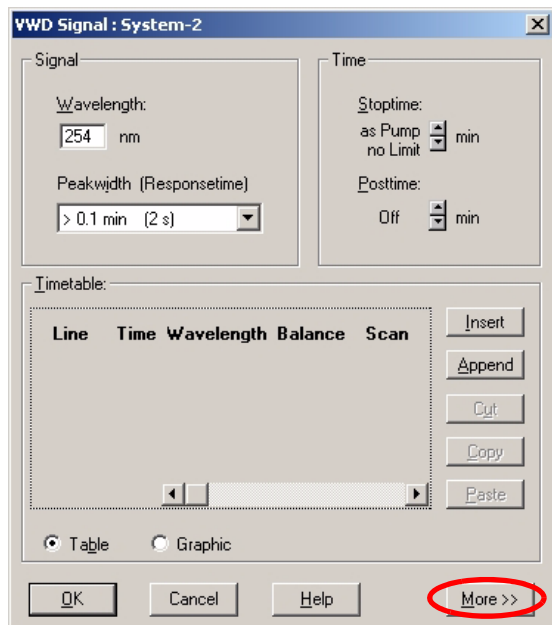


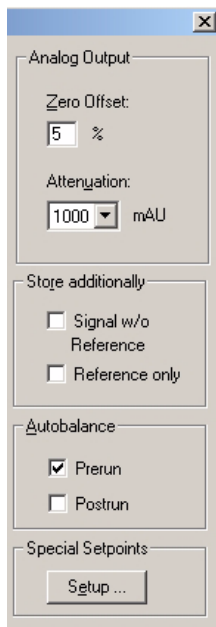
Figure 14 Open the module menu

- 10 Enter the pump parameters mentioned under “Conditions” on page 43.

4 Using the Detector




- 1 signal with individual wavelength setting
- stop and post time can be set (if required)
- peakwidth depends on the peaks in the chromatogram, see [page 61](#).
- time table for programmable actions during the run



- Zero Offset Limits: 1 to 99% in steps of 1%
- Attenuation Limits: 0.98 to 4000 mAU at discrete values for either 100 mV or 1 V full scale
- additional signals can be stored with the normal signal (for diagnostics)
- autobalance to zero absorbance (on the analog output plus offset) at begin and/or end of run
- see ["Special Setpoints"](#) on page 60

Figure 15 Detector Settings (default)

- 11 Pump the water/acetonitrile (30/70 %) mobile phase through the column for 10 minutes for equilibration.
- 12 Click the button  and select *Change...* to open the Signal Plot information. Select the *Pump: Pressure* and the *VWD A: Signal 254* as signals. Change the Y-range for the VWD to 1 mAU and the offset to 20% and the pressure offset to 50%. The X-axis range should be 15 minutes. Press *OK* to exit this screen.

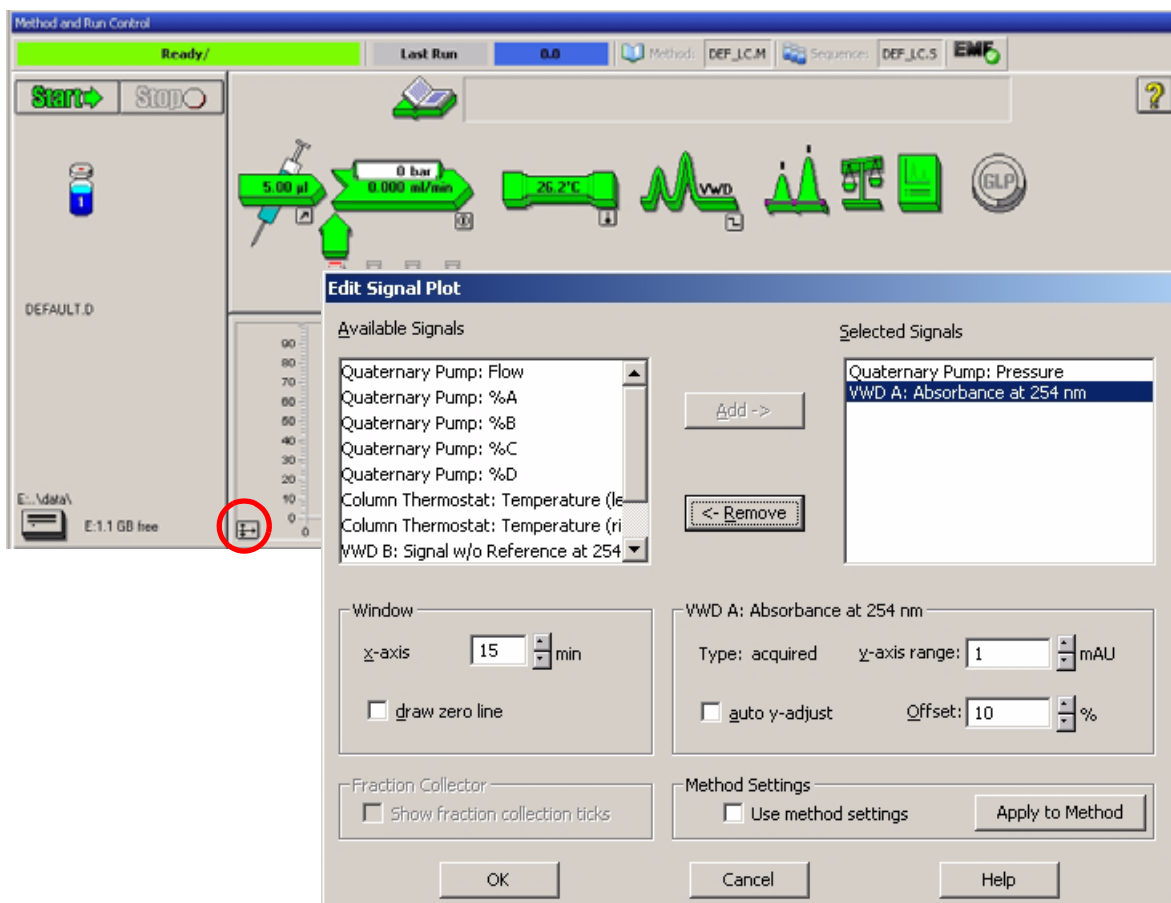


Figure 16 Edit Signal Plot Window

4 Using the Detector

The Online Plot (Figure 17 on page 52) shows both, the pump pressure and the detector absorbance signals. Pressing *Adjust* the signals can be reset to the offset value and *Balance* would do a balance on the detector.

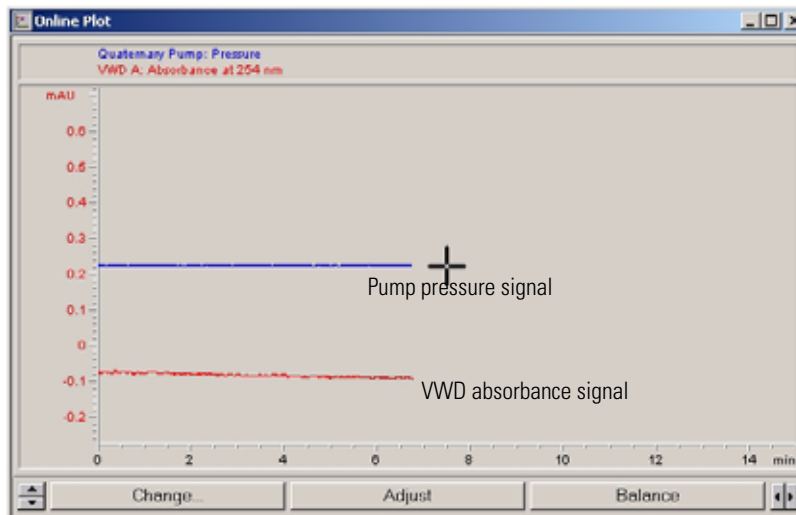


Figure 17 Online Plot Window

13 If both baselines are stable, set the Y-range for the detector signal to 100 mAU.

NOTE

If you start with a new UV-lamp for the first time, the lamp may show initial drift for some time (burn-in effect).

- 14 Select the menu item *RunControl* -> *Sample Info* and enter information about this application (Figure 18 on page 53). Press *OK* to leave this screen.

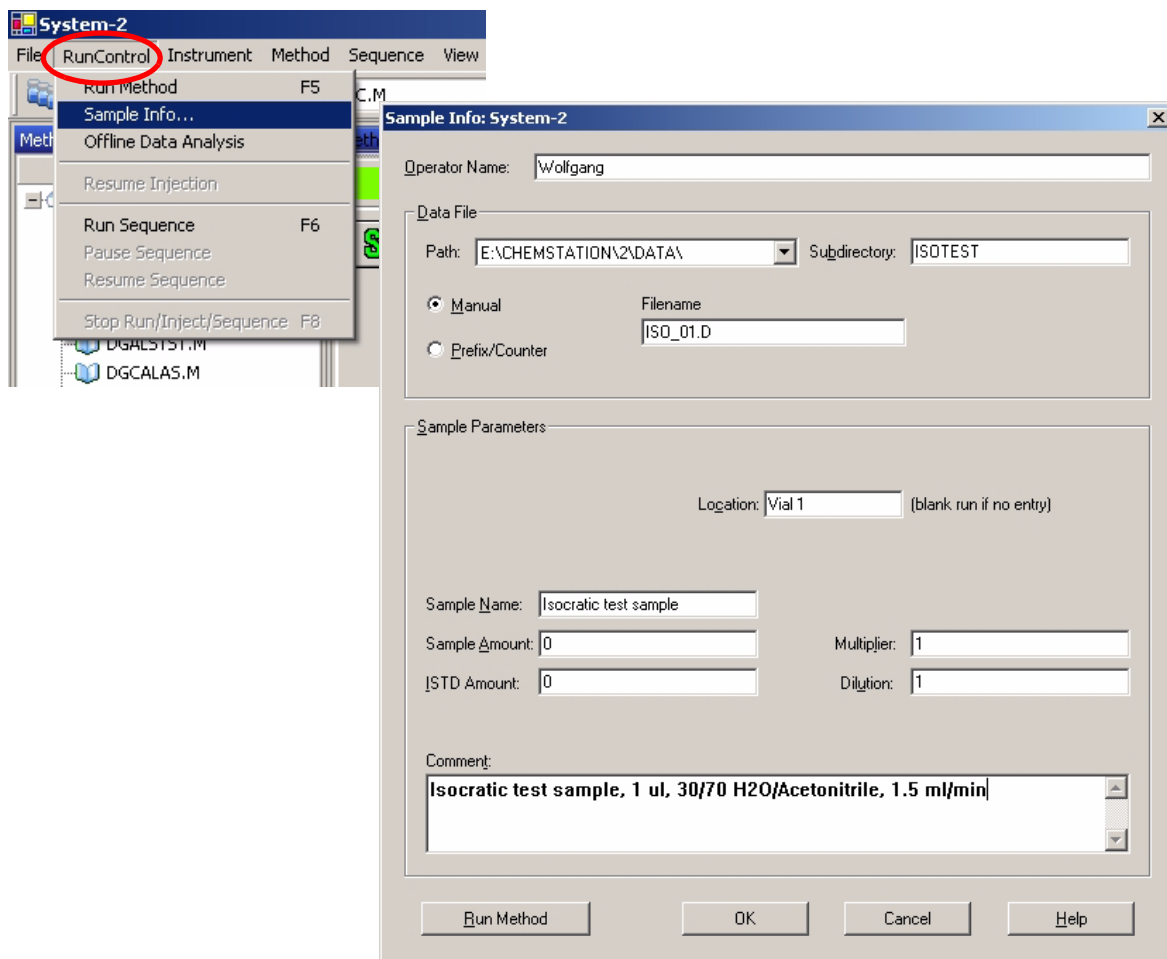


Figure 18 Sample Information

- 15 Fill the content of an isocratic standard sample ampoule into a vial and seal the vial with a cap and place the vial into autosampler tray (position #1).

Running the Sample and Verifying the Results

- 1 To start a run select the menu item *RunControl* -> *Run Method*.
- 2 This will start the 1200 modules and the online plot on the Agilent ChemStation will show the resulting chromatogram.

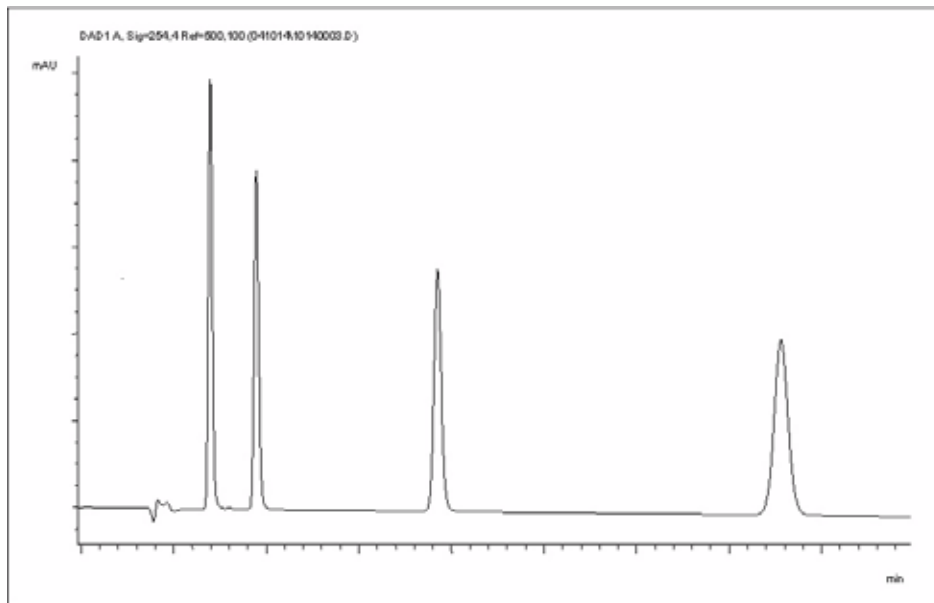


Figure 19 Chromatogram with Isocratic Test Sample

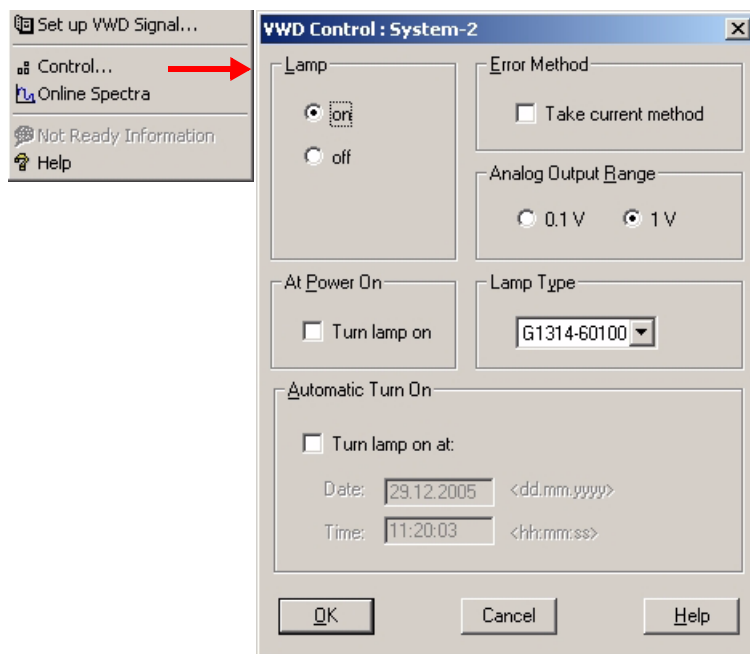
NOTE

Information about using the Data Analysis functions can be obtained from the *Using your ChemStation* manual supplied with your system.

Special Settings of the Detector

In this chapter special settings of the G1314B VWD and G1314C VWD-SL are described (based on the Agilent ChemStation B.02.01).

Control Settings



- **Lamp:** turn on and off of UV-lamp.
- **At Power On:** automatic lamp-on at power on.
- **Error Method:** take error method or current method (in case of an error).
- **Analog Output Range:** can be set to either 100 mV or 1 V full scale, see also "[Analog Output Settings](#)" on page 59.
- **Lamp Type:** can be set to either G1314-60100 (standard VWD lamp) or 2140-0590 (DAD lamps), see also "[Exchanging a Lamp](#)" on page 85.
- **Automatic Turn On:** lamps can be programmed (detector must be on for this).
- **Help:** online help.

Figure 20 Detector control settings

Online Spectra

- 1 To view the online spectra select *Online Spectra*.

NOTE

This online spectrum is taken during a stop-flow condition only while the peak is kept in the flow cell, see "Scanning with the VWD" on page 57.

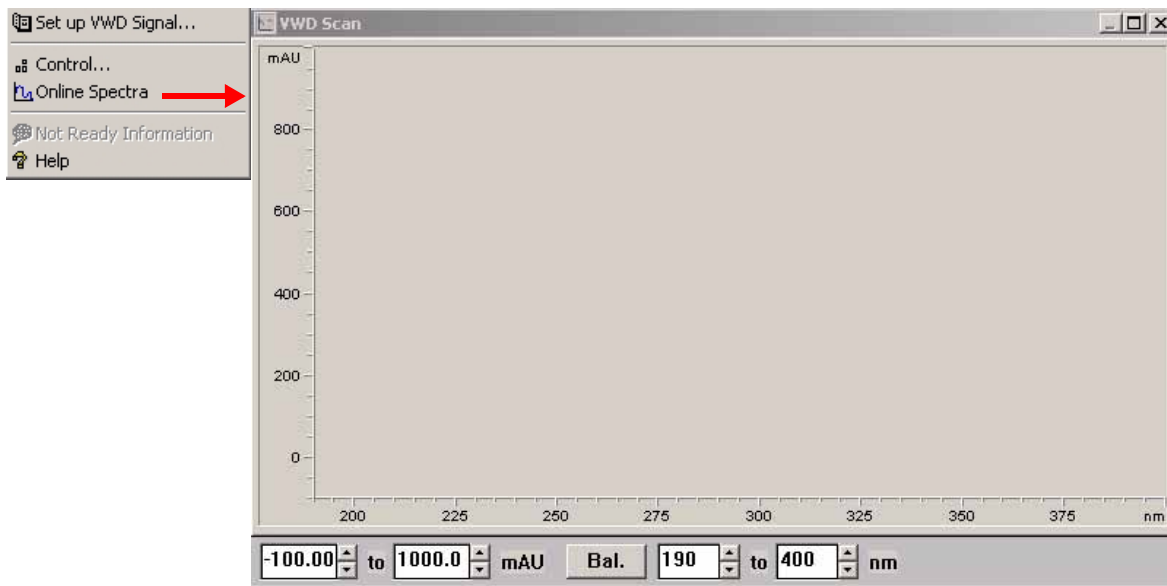


Figure 21 Online Spectra Window

- 2 Change the absorbance and wavelength range according your needs.

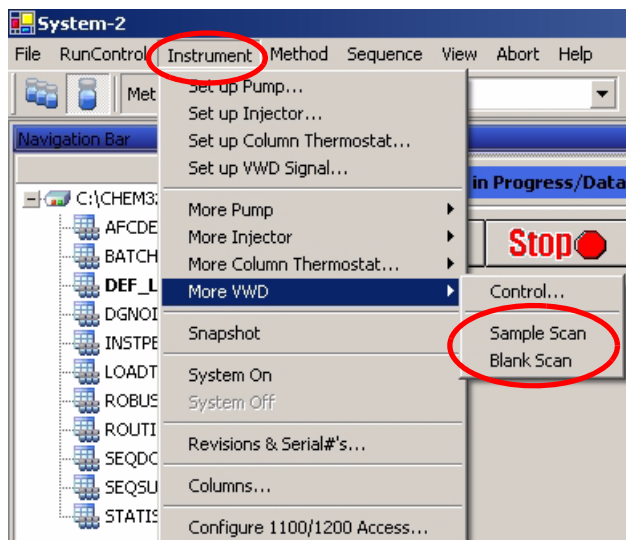
Scanning with the VWD

NOTE

Access to the scan feature is only possible during run.

- 1 Set up a run.
- 2 Start a run.
- 3 While running on the baseline, select from the menu *Instrument - More VWD - Blank Scan*, see Figure 22 on page 57.

A background scan is stored in the memory.



- **Step 1: Blank Scan:** scan of the background (solvent) is stored in the memory.
- **Step 2: Sample Scan:** scan of the peak of interest is taken while the peak stays in the flow cell (stop-flow condition).
- **Online Spectrum:** Sample Scan minus Blank Scan.

Figure 22 Taking Online Spectra

- 4 When the peak of interest enters the flow cell, stop the flow (set flow rate to zero or open the purge valve) and wait a few moments to stabilize the concentration.

NOTE

Turning off the pump would stop the run and no access to the sample scan is possible.

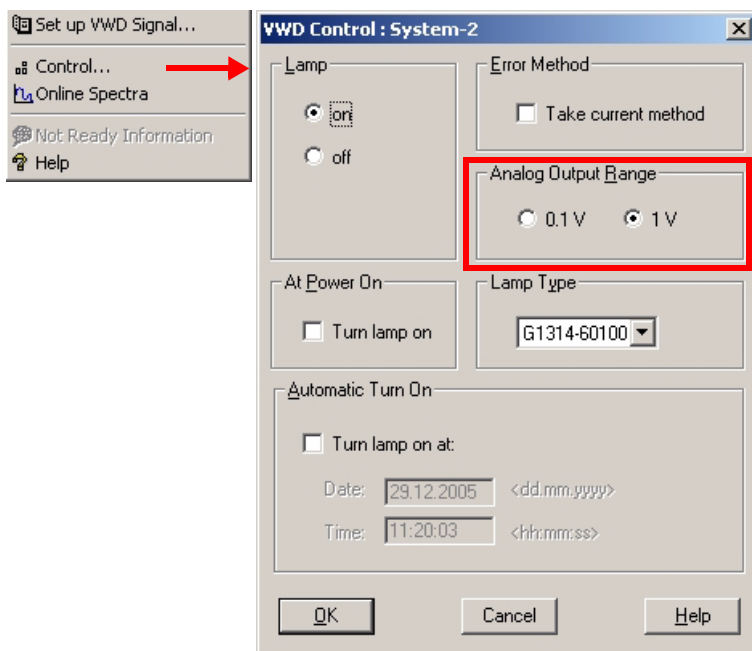
4 Using the Detector

- 5 Select from the menu
Instrument - More VWD - Sample Scan.

A sample scan is taken in the range defined under “[Special Setpoints](#)” on page 60 and the Online Spectra window (see “[Online Spectra](#)” on page 56) displays the result (Sample Scan minus Blank Scan).

Analog Output Settings

- 1 To change the Output Range of the analog outputs select *VWD Control*.
- 2 To change the offset and the attenuation select *VWD Signal - More*.



- **Analog Output Range:** can be set to either 100 mV or 1 V full scale.
- **Zero Offset:** can be set to either 100 mV or 1 V full scale.
- **Attenuation Limits:** 0.98 to 4000 mAU at discrete values for either 100 mV or 1 V full scale.

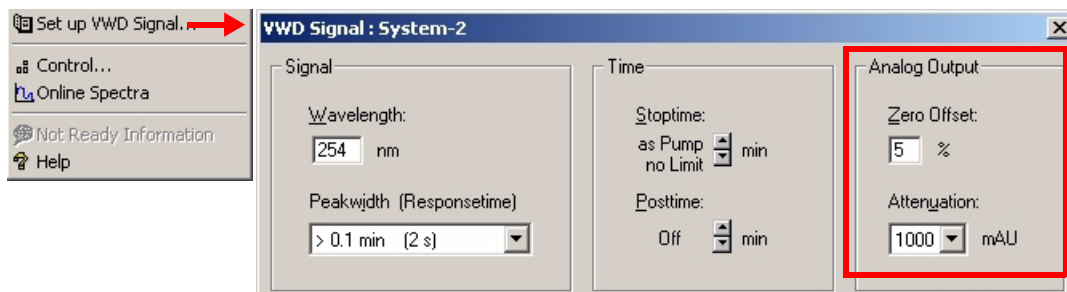
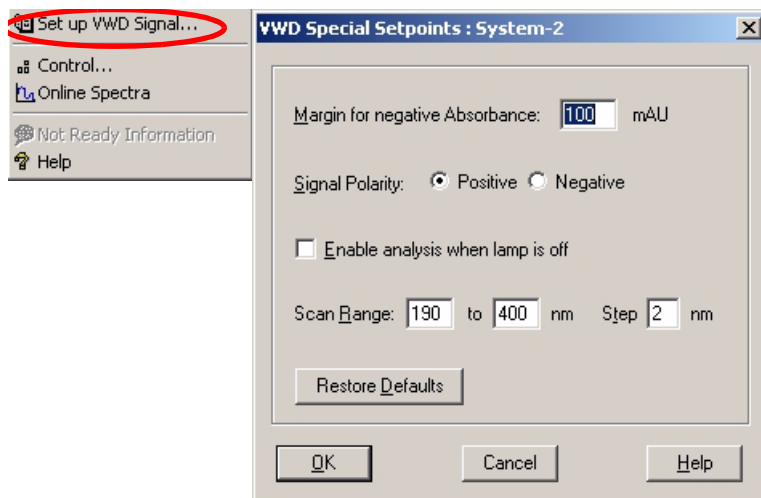


Figure 23 Analog Output Settings

- 3 Change the values if required.

Special Setpoints

- 1 To change the offset and the attenuation select *VWD Signal - More - Special Setpoints*.



Margin for negative Absorbance:

Use this field to modify the detector's signal handling to increase the margin for negative absorbance. Use this option if, for example, your solvent gradient produces a decreasing baseline absorbance, and for GPC analyses.

Limits: 100 to 4000 mAU.

Signal Polarity: can be switched to negative (if required).

Enable analysis when lamp is off: if the VWD is not used in a dual detector setup (lamp off), the not-ready condition is not stopping the analysis.

Scan Range / Step: Used for stop-flow scanning, see "[Scanning with the VWD](#)" on page 57.

Figure 24 Spectra Window

NOTE

Margin for negative Absorbance: The higher the value the greater the baseline noise. Set this value only if you expect negative absorbance greater than -100 mAU.

Peakwidth Settings

NOTE

Do not use peak width shorter than necessary, see also “Set the Detector Parameters” on page 69.

- 1 To change the Peakwidth settings select *Setup Detector Signals*.
- 2 In the section Peakwidth (Responsetime) click on the drop-down list.
- 3 Change the Peakwidth according to your needs.

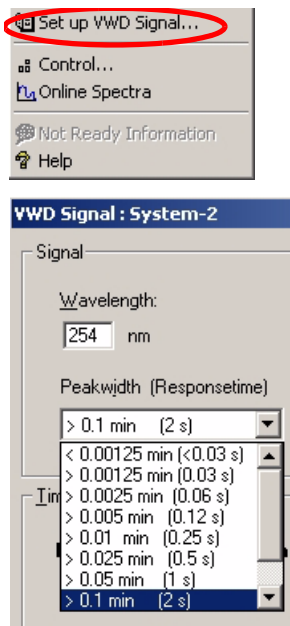


Figure 25 Peakwidth Setting

Peakwidth enables you to select the peak width (response time) for your analysis. The peak width is defined as the width of a peak, in minutes, at half the peak height. Set the peak width to the narrowest expected peak in your chromatogram. The peak width sets the optimum response time for your detector. The peak detector ignores any peaks that are considerably narrower, or wider, than the peak width setting. The response time is the time between 10% and 90% of the output signal in response to an input step function. When the All spectrum storage option is selected, then spectra are acquired continuously depending on the setting of the peak width. The time specified by the peak width is used as a factor in the acquisition of spectra. The acquisition time for one spectrum is slightly less than the peak width divided by 8, see [Table 9](#) on page 62.

Limits: When you set the peak width (in minutes), the corresponding response time is set automatically and the appropriate data rate for signal acquisition is selected as shown in [Table 9](#) on page 62.

Table 9 Peak Width — Response Time — Data Rate (G1314B VWD)

Peak Width (min)	Response Time (sec)	Data Rate (Hz)
<0.005	0.12	13.74
>0.005	0.12	13.74
>0.01	0.25	13.74
>0.025	0.5	13.74
>0.05	1.0	6.87
>0.10	2.0	3.43
>0.20	4.0	1.72
>0.40	8.0	0.86

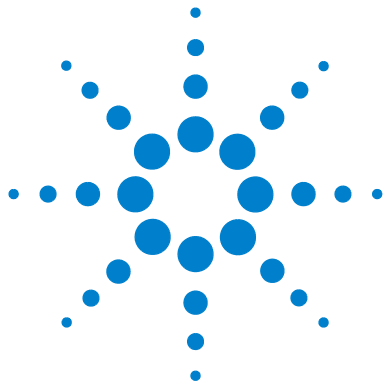
Table 10 Peak Width — Response Time — Data Rate (G1314C VWD SL)

Peak Width (min)	Response Time (sec)	Data Rate (Hz)
<0.00125	<0.031	55
>0.00125	0.031	27.5
>0.0025	0.062	13.74
>0.005	0.12	13.74
>0.01	0.25	13.74
>0.025	0.5	13.74
>0.05	1.0	6.87
>0.10	2.0	3.43
>0.20	4.0	1.72
>0.40	8.0	0.86

Optimizing the Detector

Additional theoretical information can be found in chapter “[How to optimize the detector](#)” on page 65.

4 Using the Detector



5 How to optimize the detector

Optimizing the Detector Performance 66

This chapter gives hints on how to select the detector parameters and the flow cell.



Optimizing the Detector Performance

The detector has a variety of parameters that can be used to optimize performance.

The information below will guide you on how to get the best detector performance. Follow these rules as a start for new applications. It gives a rule-of-thumb for optimizing the detector parameters.

Match the Flow Cell to the Column

Figure 26 recommends the flow cell that matches the column used. If more than one selection is appropriate, use the larger flow cell to get the best detection limit. Use the smaller flow cell for best peak resolution.

Column length	Typical peak width	Recommended flow cell			
<= 5 cm	0.025 min	Micro flow cell			
10 cm	0.05 min		Semi-micro flow cell		
20 cm	0.1 min			Standard flow cell	
>= 40 cm	0.2 min				
	Typical flow rate	0.05 – 0.2 ml/min	0.2 – 0.4 ml/min	0.4 – 0.8 ml/min	1 – 2 ml/min
	Internal column diameter	1.0 mm	2.1 mm	3.0 mm	4.6 mm

Figure 26 Choosing a Flow Cell

Flow Cell Path Length

Lambert-Beer's law shows a linear relationship between the flow cell path length and absorbance.

$$\text{Absorbance} = -\log T = \log \frac{I_0}{I} = \epsilon \cdot C \cdot d$$

where

- T is the transmission, defined as the quotient of the intensity of the transmitted light I divided by the intensity of the incident light, I_0 .
- ϵ is the extinction coefficient, which is a characteristic of a given substance under a precisely-defined set of conditions of wavelength, solvent, temperature and other parameters.
- C is the concentration of the absorbing species (usually in g/l or mg/l), and
- d is the path length of the cell used for the measurement.

Therefore, flow cells with longer path lengths yield higher signals. Although noise usually increases little with increasing path length, there is a gain in signal-to-noise ratio. For example, in [Figure 27](#) on page 68 the noise increased by less than 10 % but a 70 % increase in signal intensity was achieved by increasing the path length from 6 mm to 10 mm.

When increasing the path length, the cell volume usually increases – in our example from 5 – 13 μ l. Typically, this causes more peak dispersion. As [Figure 27](#) on page 68 demonstrates, this did not affect the resolution in the gradient separation in our example.

As a rule-of-thumb the flow cell volume should be about 1/3 of the peak volume at half height. To determine the volume of your peaks, take the peak width as reported in the integration results multiply it by the flow rate and divide it by 3).

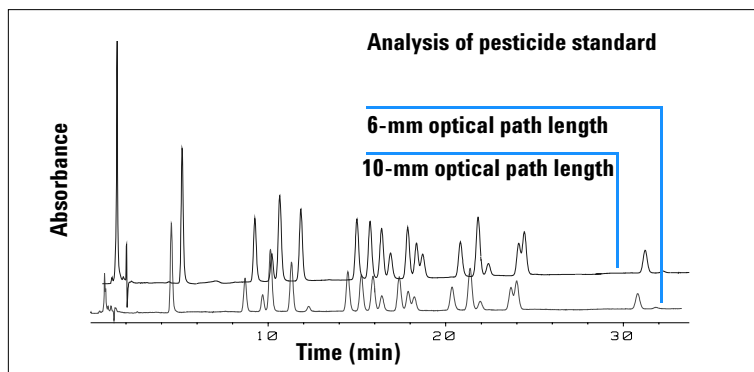


Figure 27 Influence of Cell Path Length on Signal Height

Traditionally LC analysis with UV detectors is based on comparing measurements with internal or external standards. To check photometric accuracy of the Agilent 1200 Series VWD it is necessary to have more precise information on path lengths of the VWD flow cells.

The correct response is:

expected response * correction factor

Please find below the details of the Agilent 1200 Series VWD flow cells:

Table 11 Correction factors for Agilent 1200 Series VWD flow cells

Flow cell type	Cell volume	Part number	Path length (nominal)	Path length (actual)	Correction factor
Standard flow cell	14 μ l	G1314-60086	10 mm	10.15 \pm 0.19 mm	10/10.15
Semi-micro flow cell	5 μ l	G1314-60083	6 mm	6.10 \pm 0.19 mm	6/6.10
Micro flow cell	1 μ l	G1314-60081	5 mm	4.80 \pm 0.19 mm	5/4.8
High Pressure flow cell	14 μ l	G1314-60082	10 mm	10.00 \pm 0.19 mm	6/5.75

NOTE

However you have to be aware that there are additional tolerance of gasket thickness and its compression ratio which is supposed to be very small in comparison with the machining tolerance.

Set the Detector Parameters

- 1 Set peakwidth as close as possible to the width (at half height) of a narrow peak of interest.

Table 12 Peakwidth Settings

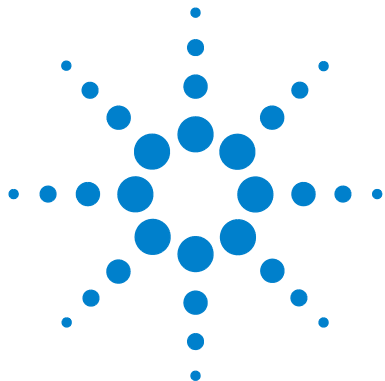
Peakwidth at half height	Rise time [10.. 90%]	Data rate	Module
< 0.00125 minutes	< 0.031 seconds	54.96 Hz	G1314C
0.00125 minutes	0.031 seconds	27.48 Hz	G1314C
0.0025 minutes	0.062 seconds	13.74 Hz	G1314C
0.005 minutes	0.125 seconds	13.74 Hz	G1314B / G1314C
0.01 minutes	0.25 seconds	13.74 Hz	G1314B / G1314C
0.025 minutes	0.50 seconds	13.74 Hz	G1314B / G1314C
0.05 minutes	1 second	6.87 Hz	G1314B / G1314C
0.1 minutes	2 seconds	3.43 Hz	G1314B / G1314C
0.2 minutes	4 seconds	1.72 Hz	G1314B / G1314C
0.4 minutes	8 seconds	0.86 Hz	G1314B / G1314C

- 2 Choose the sample wavelength.
 - at a longer wavelength than the cut-off wavelength of the mobile phase,
 - at a wavelength where the analytes have strong absorptivity if you want to get the lowest possible detection limit,
 - at a wavelength with moderate absorptivity if you work with high concentrations, and
 - preferably where the spectrum is flat for better linearity.
- 3 Consider to use time-programming to further optimization.

NOTE

The G1314C VWD-SL can be operated with a G1323B just in standard mode as G1314B - no higher data rate selection is available.

5 How to optimize the detector



6 Troubleshooting and Diagnostics

Overview of the Detector's Indicators and Test Functions 72

Status Indicators 73

User Interfaces 75

Agilent LC Diagnostic Software 76

Overview about the troubleshooting and diagnostic features.



Overview of the Detector's Indicators and Test Functions

Status Indicators

The detector is provided with two status indicators which indicate the operational state (prerun, run, and error states) of the detector. The status indicators provide a quick visual check of the operation of the detector ([see page 51](#)).

Error Messages

In the event of an electronic, mechanical or hydraulic failure, the detector generates an error message in the user interface. For each message, a short description of the failure, a list of probable causes of the problem, and a list of suggested actions to fix the problem are provided (see [“Troubleshooting and Diagnostics” in the Service Manual](#)).

Test Functions

A series of test functions are available for troubleshooting and operational verification after exchanging internal components (see [“Test Functions” in the Service Manual](#)).

Wavelength Verification / Recalibration

Wavelength recalibration is recommended after repair of internal components, and on a regular basis to ensure correct operation of the detector. The detector uses the deuterium alpha and beta emission lines for wavelength calibration (see [“Wavelength Verification/Calibration”](#) on page 104).

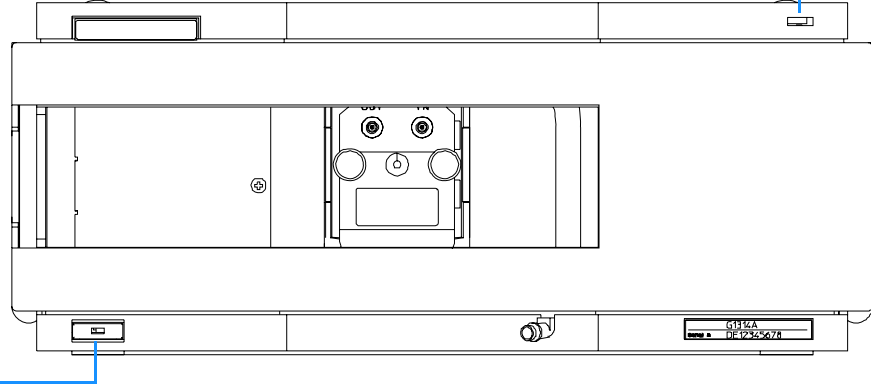
Diagnostic Signals

The detector has several signals (internal temperatures, voltages and currents of lamps) that can be used for diagnosing baseline problems (see [“Diagnosis Signals” in the Service Manual](#)).

Status Indicators

Two status indicators are located on the front of the detector. The lower left indicates the power supply status, the upper right indicates the detector status.

Status indicator
green/yellow/red



Line power switch
with green light

Figure 28 Location of Status Indicators

Power Supply Indicator

The power supply indicator is integrated into the main power switch. When the indicator is illuminated (*green*) the power is ON.

Detector Status Indicator

The detector status indicator indicates one of four possible detector conditions:

- When the status indicator is OFF (and power switch light is on), the detector is in a *prerun* condition, and is ready to begin an analysis.
- A *green* status indicator, indicates the detector is performing an analysis (*run* mode).
- A *yellow* indicator indicates a *not-ready* condition. The detector is in a not-ready state when it is waiting for a specific condition to be reached or completed (for example, immediately after changing a set point), or while a self-test procedure is running.
- An *error* condition is indicated when the status indicator is *red*. An error condition indicates the detector has detected an internal problem which affects correct operation of the detector. Usually, an error condition requires attention (e.g. leak, defective internal components). An error condition always interrupts the analysis.
- A *red-blinking* indicator indicates that the module is in resident mode (e.g. during update of main firmware).

User Interfaces

Depending on the user interface the available tests vary. All test descriptions are based on the Agilent ChemStation as user interface. Some descriptions are only available in the Service Manual.

Table 13 Test Functions available vs. User Interface

Test	ChemStation	Instant Pilot G4208A	Control Module G1323B
Selftest	Yes	No	No
Filter	Yes	No	No
Slit	Yes	No	Yes
D/A Converter	Yes	No	No
Test Chromatogram	Yes (C)	No	Yes
Wavelength Calibration	Yes	Yes (M)	Yes
Lamp Intensity	Yes	Yes (D)	Yes
Holmium	Yes	Yes (D)	Yes
Cell	Yes	Yes (D)	No
Dark Current	Yes	Yes (D)	No

C via command
 M section Maintenance
 D section Diagnose

NOTE

The Agilent Control Module (G1323B) does not do any calculations. So there will be no reports generated with passed/failed information.

Agilent LC Diagnostic Software

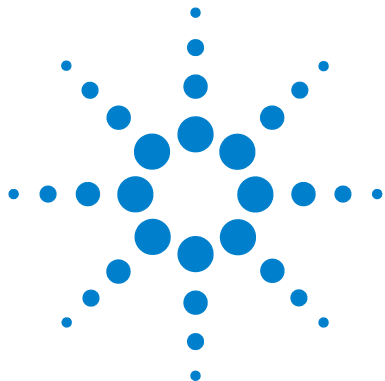
The Agilent LC diagnostic software is an application independent tool that provides troubleshooting capabilities for the Agilent 1200 Series modules. It provides for all 1200 Series LC the possibility of a first guided diagnostic for typical HPLC symptoms and a status report stored as Adobe Acrobat pdf or as a printable file to assist users evaluating the instrument state.

At the introduction, following modules will be fully supported by the software, including module tests and calibrations as well as injector steps and maintenance positions.

- Agilent 1200 Series binary pump SL (G1312B)
- Agilent 1200 Series high performance autosampler SL (G1367B)
- Agilent 1200 Series thermostatted column compartment SL (G1316B)
- Agilent 1200 Series diode array detector SL (G1315C)

With further releases of the diagnostic software all Agilent 1200 Series HPLC modules will be fully supported.

This diagnostic software provides tests and diagnostic features that may differ from the descriptions in this manual. For details refer to the help files provided with the diagnostic software.



7 Maintenance and Repair

Introduction to Maintenance and Repair 78

Warnings and Cautions 79

Cleaning the Detector 80

Using the ESD Strap 81

This chapter provides general information on maintenance and repair of the detector.



Introduction to Maintenance and Repair

Simple Repairs - Maintenance

The detector is designed for easy repair. The most frequent repairs such as lamp change and flow cell change can be done from the front of the detector with the detector in place in the system stack. These repairs are described in “[Maintenance](#)” on page 83 (*part of the User Manual and Service Manual*).

Exchanging Internal Parts - Repair

Some repairs may require exchange of defective internal parts. Exchange of these parts requires removing the detector from the stack, removing the covers, and disassembling the detector. The security lever at the power input socket prevents that the detector cover is taken off when line power is still connected. These repairs are described in “[Repair](#)” in the [Service Manual](#).

Warnings and Cautions

WARNING

To prevent personal injury, the power cable must be removed from the instrument before opening the detector cover. Do not connect the power cable to the detector while the covers are removed.

WARNING

To prevent personal injury, be careful when getting in contact with sharp metal areas.

WARNING

When working with solvents please observe appropriate safety procedures (for example, goggles, safety gloves and protective clothing) as described in the material handling and safety data sheet supplied by the solvent vendor, especially when toxic or hazardous solvents are used.

CAUTION

Electronic boards and components are sensitive to electrostatic discharge (ESD). In order to prevent damage always use an ESD protection (for example, the ESD wrist strap from the accessory kit) when handling electronic boards and components (see “Using the ESD Strap” on page 81).

WARNING

Eye damage may result from directly viewing the light produced by the deuterium lamp used in this product. Always turn the deuterium lamp off before removing it.



Cleaning the Detector

The detector case should be kept clean. Cleaning should be done with a soft cloth slightly dampened with water or a solution of water and mild detergent. Do not use an excessively damp cloth allowing liquid to drip into the detector.

WARNING

Do not let liquid drip into the detector. It could cause shock hazard and it could damage the detector.

Using the ESD Strap

Electronic boards are sensitive to electrostatic discharge (ESD). In order to prevent damage, always use an ESD strap when handling electronic boards and components.

- 1 Unwrap the first two folds of the band and wrap the exposed adhesive side firmly around your wrist.
- 2 Unroll the rest of the band and peel the liner from the copper foil at the opposite end.
- 3 Attach the copper foil to a convenient and exposed electrical ground.

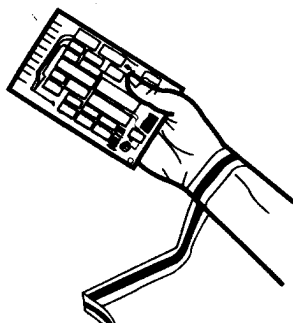
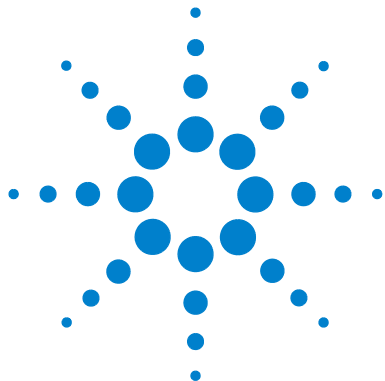


Figure 29 Using the ESD Strap

7 Maintenance and Repair



8 Maintenance

Overview of Maintenance	84
Exchanging a Lamp	85
Exchanging a Flow Cell	87
Repairing the Flow Cells	90
Using the Cuvette Holder	94
Correcting Leaks	97
Replacing Leak Handling System Parts	98
Replacing the Interface Board	99
Replacing the Detector's Firmware	100
Tests & Calibrations	101
Intensity Test	102
Wavelength Verification/Calibration	104
Holmium Oxide Test	105

This chapter describes the maintenance of the detector.



Overview of Maintenance

The following pages describe maintenance (simple repairs) of the detector that can be carried out without opening the main cover.

Table 14 Simple Repairs

Procedures	Typical Frequency	Notes
Deuterium lamp exchange	If noise and/or drift exceeds your application limits or lamp does not ignite.	A VWD test should be performed after replacement.
Flow cell exchange	If application requires a different flow cell type.	A VWD test should be performed after replacement.
Cleaning flow cell parts cleaning or exchange	If leaking or if intensity drops due to contaminated flow cell windows.	A pressure tightness test should be done after repair.
Leak sensor drying	If leak has occurred.	Check for leaks.
Leak handling system replacement	If broken or corroded.	Check for leaks.

Exchanging a Lamp

When required	If noise or drift exceeds application limits or lamp does not ignite.
Tools required	Screwdriver POZI 1 PT3
Parts required	Deuterium lamp G1314-60100

NOTE

If you want to use the Agilent DAD lamp instead of the VWD lamp, you have to change the lamp settings in the *VWD Configuration* to lamp type *2140-0590*. This ensures that the DAD lamp's filament heating is operated like in the DAD. The instrument specifications are based on the VWD lamp.

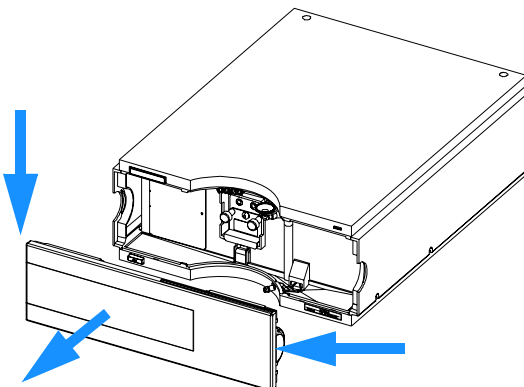
WARNING

If the detector has been in use, the lamp may be hot. If so, wait five minutes for lamp to cool down.

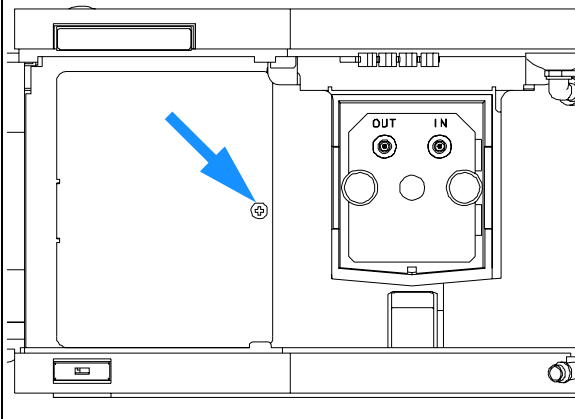
Preparations for this procedure:

- Turn the lamp OFF.

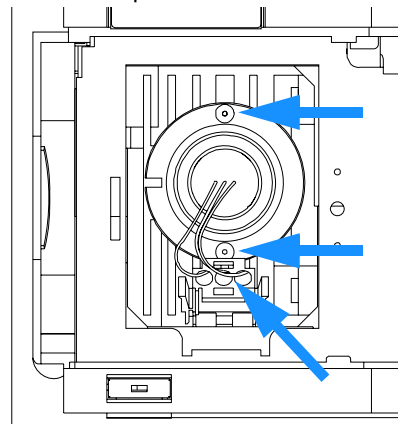
- 1 Press the release buttons and remove the front cover to have access to the lamp area.



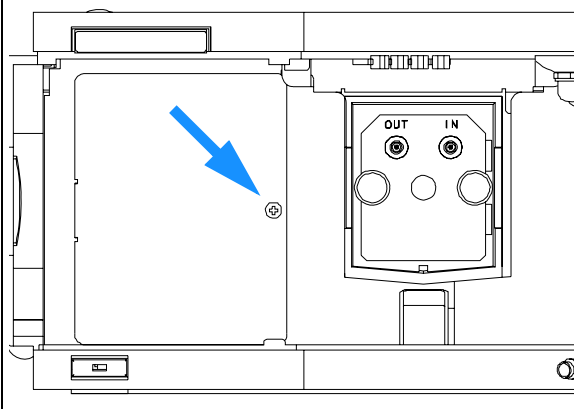
4 Unscrew the lamp cover and remove it.



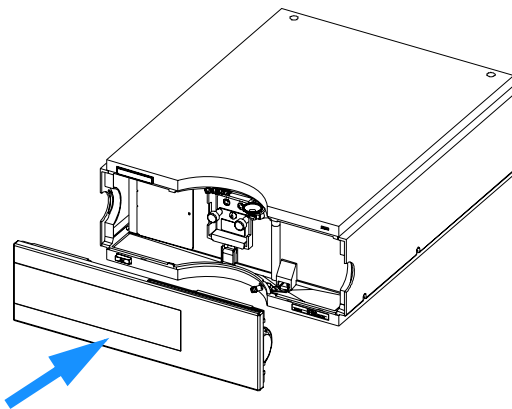
5 Unscrew, disconnect and replace the lamp. Insert, fix and reconnect the lamp.



6 Replace the lamp cover.



7 Replace the front cover.



Next steps:

- Reset the lamp counter as described in the User Interface documentation.
- Turn the lamp ON.
- Give the lamp more than 10 minutes to warm-up.
- Perform "[Wavelength Verification/Calibration](#)" on page 104 to check the correct positioning of the lamp.

Exchanging a Flow Cell

When required If application needs a different type of flow cell or the flow cell needs repair.

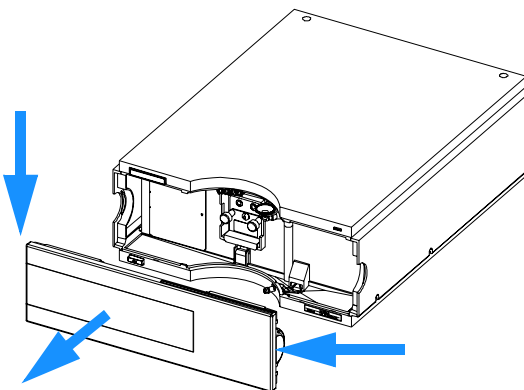
Tools required Two 1/4 inch wrenches for capillary connections

Parts required
G1314-60086 10 mm, 14 μ l, 40 bar,
Micro flow cell, 5 mm, 1 μ l, 40 bar, G1314-60081
Semimicro flow cell, 6 mm, 5 μ l, 40 bar, G1314-60083
High pressure flow cell, 10 mm, 14 μ l, 400 bar, G1314-60082

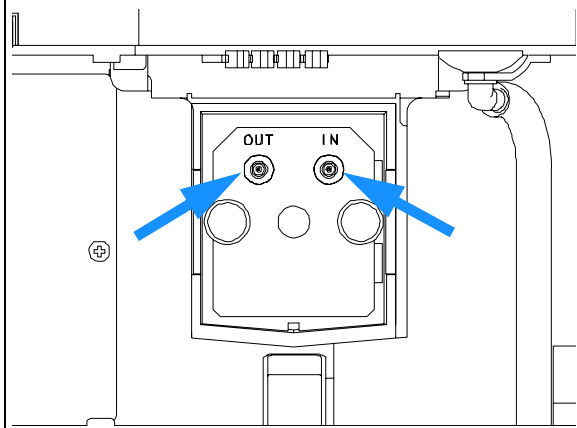
Preparations for this procedure:

- Turn the lamp OFF.

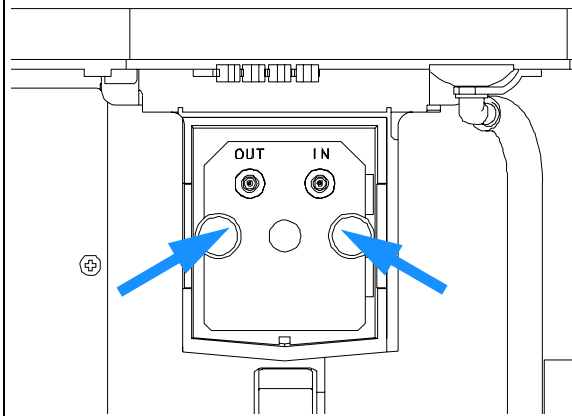
- 1 Press the release buttons and remove the front cover to have access to the flow cell area.



2 Disconnect the inlet and outlet capillaries.



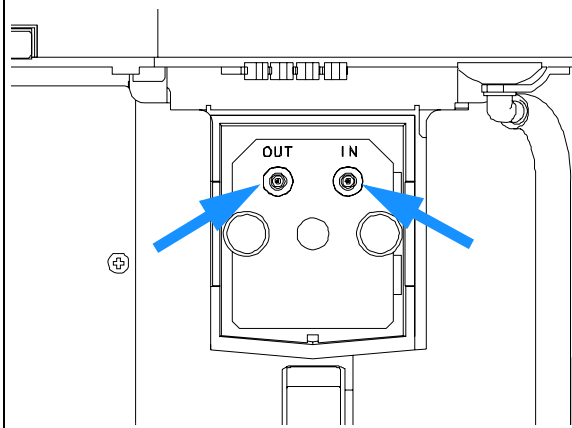
3 Unscrew the thumb screws parallel and remove the flow cell.

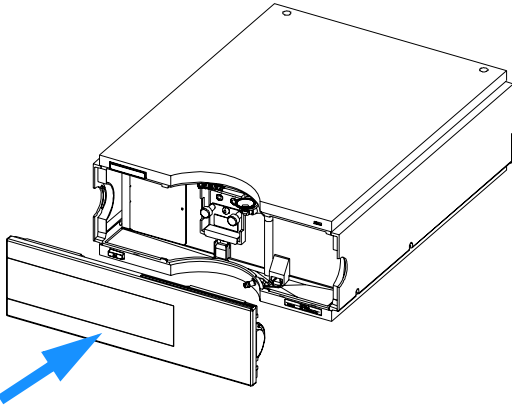


Note:

If you want to maintain flow cell parts, see ["Repairing the Flow Cells"](#) on page 90 or the information provided with your flow cell.

4 Replace the flow cell and fix the thumb screws. Reconnect the inlet and outlet capillaries to the flow cell.



5 Replace the front cover.**Next steps:**

- To check for leaks, establish a flow and observe the flow cell (outside of the cell compartment) and all capillary connections.
- Insert the flow cell.
- Perform "[Wavelength Verification/Calibration](#)" on page 104 to check the correct positioning of the flow cell.
- Replace the front cover.

Repairing the Flow Cells

When required	If the flow cell needs repair due to leaks or contaminations.
Tools required	Wrench 1/4 inch for capillary connections Hexagonal wrench 4 mm Tooth picks
Parts required	See "Standard Flow Cell" on page 111. See "Micro Flow Cell" on page 112. See "Semi-micro Flow Cell" on page 113. See "High Pressure Flow Cell" on page 115.
Preparations	Turn off the flow. Remove the front cover. Remove the flow cell, see "Exchanging a Flow Cell" on page 87.

NOTE

The shown cell parts will differ depending upon the flow cell type. [For detailed parts schematics, refer to above mentioned pages.](#)

- 1 - Cell Screw
- 2 - Conical Springs
- 3 - Ring #1 PEEK
- 4 - Gasket #1 (small hole)
- 5 - Window Quartz
- 6 - Gasket #2 (large hole)
- 7 - Cell cover assembly
- 8 - Ring #2 PEEK

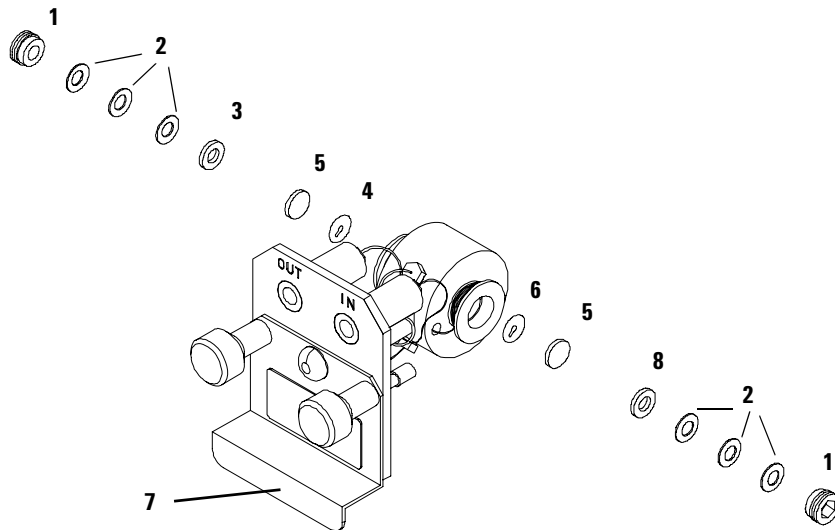


Figure 30 Standard Flow Cell

Disassembling the Flow Cell

- 1 Unscrew the cell screw using a 4-mm hexagonal wrench.
- 2 Remove the SST rings using a pair of tweezers.
- 3 Use adhesive tape to remove the peek ring, the window and the gasket.

CAUTION

Do not use tweezers to remove windows as the surfaces can easily be scratched.

Cleaning the Flow Cell Parts

- 4 Repeat [step 1](#) through [step 3](#) for the other window (keep the parts separate - otherwise they could be mixed!).
- 5 Pour isopropanol into the cell hole and wipe clean with a piece of lint-free cloth.
- 6 Clean the windows with ethanol or methanol. Dry it with a piece of lint-free cloth.

NOTE

Always use new gaskets.

Reassembling the Flow Cell

- 7 Hold the flow cell cassette horizontally and place gasket in position. Ensure both cell holes can be seen through the holes of gasket.

NOTE

The semi-micro #1 and #2 gaskets (items 6 and 7, "[Semi-micro Flow Cell](#)" on page 114) look very similar. Do not mix them up.

- 8 Place the window on gasket.
- 9 Place the peek ring on the window.
- 10 Insert the conical springs. Make sure the conical springs point towards the window. Otherwise tightening the cell screw might break the window.
- 11 Screw the cell screw into the flow cell and tighten the screw.
- 12 Repeat the procedure for the other cell side.

8 Maintenance

- Next steps**
- Reconnect the capillaries, see [“Exchanging a Flow Cell”](#) on page 87.
 - Perform a leak test. If OK, insert the flow cell.
 - Perform [“Wavelength Verification/Calibration”](#) on page 104 to check the correct positioning of the flow cell.
 - Replace the front cover.

Using the Cuvette Holder

When required:	If your own standard should be used to checkout the instrument.
Tools required:	None
Parts required:	Cuvette Holder G1314-60200 Cuvette with the “standard”, e.g. NIST certified holmium oxide sample

This cuvette holder can be placed instead of a flow cell in the variable wavelength detector. Standard cuvettes with standards in it, for example, National Institute of Standards & Technology (NIST) holmium oxide solution standard, can be fixed in it.

This can be used for wavelength verifications.

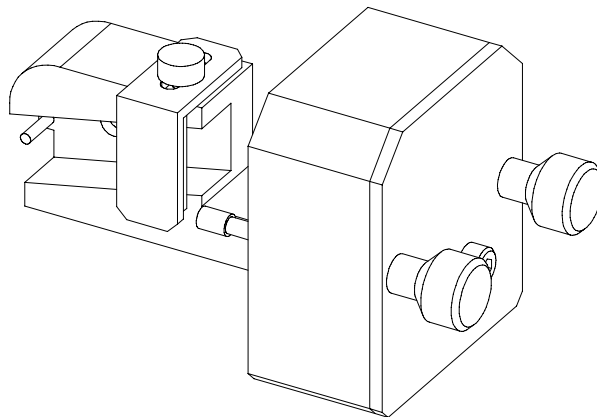
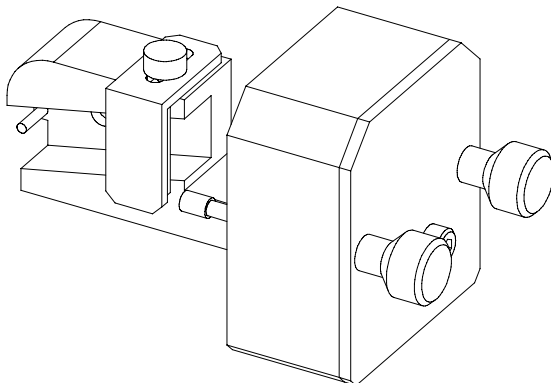


Figure 31 Cuvette Holder

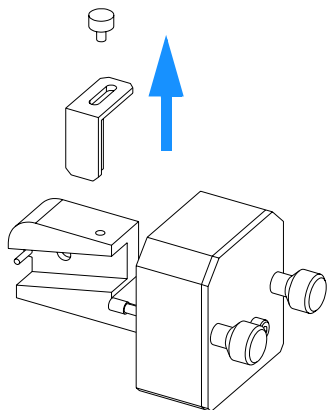
Preparation for this procedure are:

- Remove the normal flow cell.
- Have cuvette with standard available.

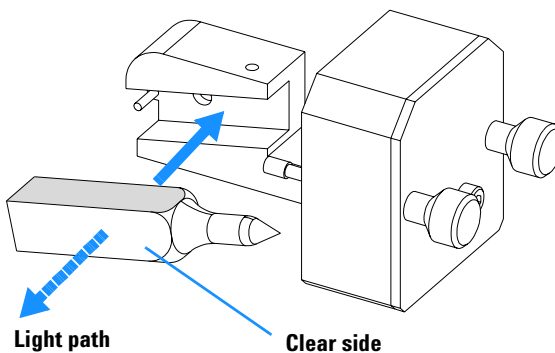
1 Locate the cuvette holder on the desk.



2 Unscrew the bracket.



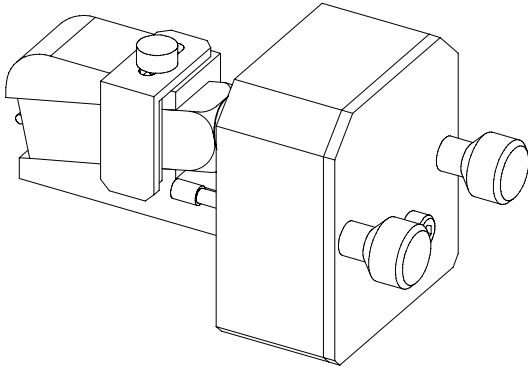
3 Insert the cuvette with the sample into the holder. The clear side of the cuvette must be visible.



Next steps:

- Reset the lamp counter as described in the User Interface documentation.
- Turn the lamp ON.
- Give the lamp more than 10 minutes to warm-up.
- Perform "[Wavelength Verification/Calibration](#)" on page 104 to check the correct positioning of the lamp.

4 Replace the bracket and fix the cuvette.



5 Install the cuvette holder in the instrument.

Next steps:

- Perform your verification.

Correcting Leaks

When required	If a leakage has occurred in the flow cell area or at the capillary connections.
Tools required	Tissue Two 1/4 inch wrenches for capillary connections
Parts required	None

- 1 Remove the front cover.
- 2 Use tissue to dry the leak sensor area.
- 3 Observe the capillary connections and the flow cell area for leaks and correct, if required.
- 4 Replace the front cover.

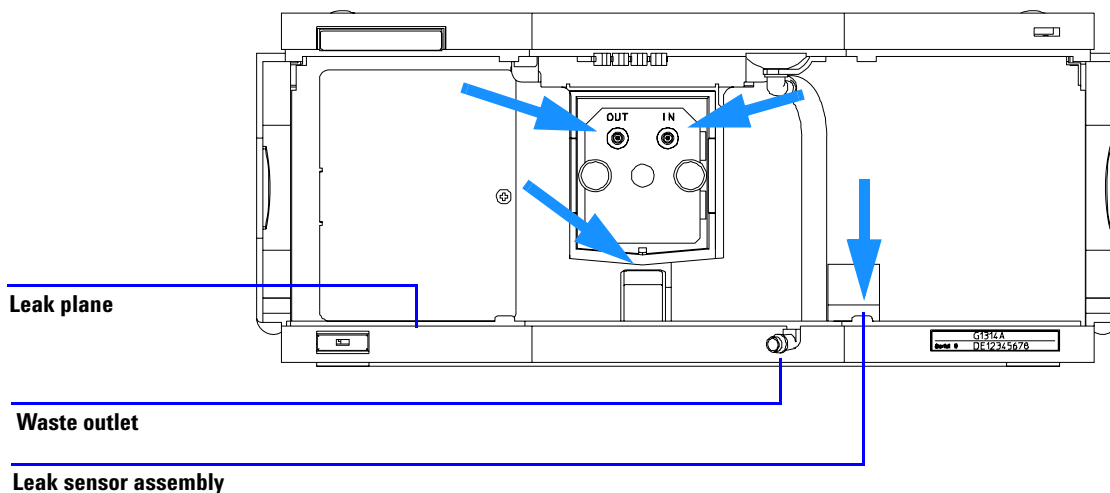


Figure 32 Drying the Leak Sensor

Replacing Leak Handling System Parts

When required	If the parts are corroded or broken.
Tools required	None
Parts required	Leak funnel 5061-3356 Leak funnel holder 5041-8389 Leak tubing (120 mm) 0890-1711

- 1 Remove the front cover to have access to the leak handling system.
- 2 Pull the leak funnel out of the leak funnel holder.
- 3 Pull the leak funnel with the tubing out of its location.
- 4 Replace the leak funnel and/or the tubing.
- 5 Insert the leak funnel with the tubing in its position.
- 6 Insert the leak funnel into the leak funnel holder.
- 7 Replace the front cover.

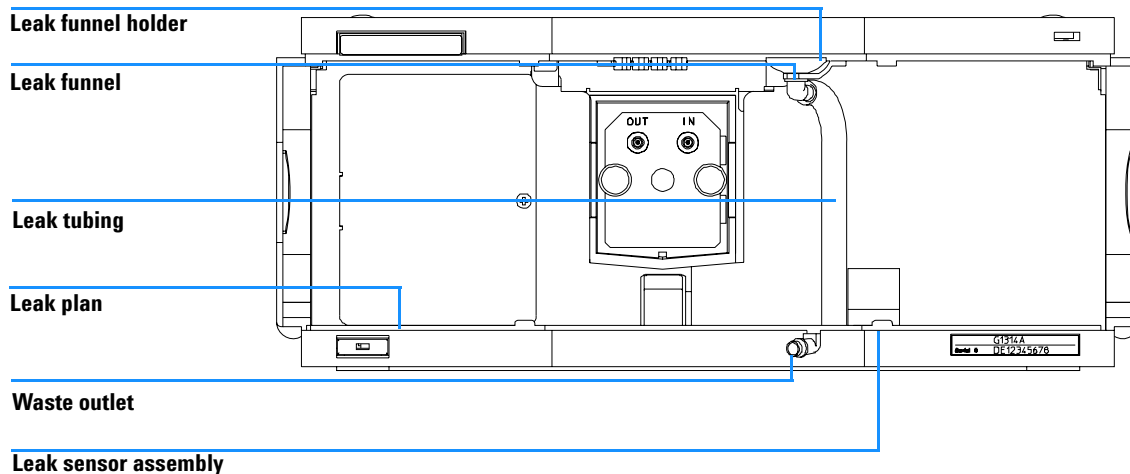
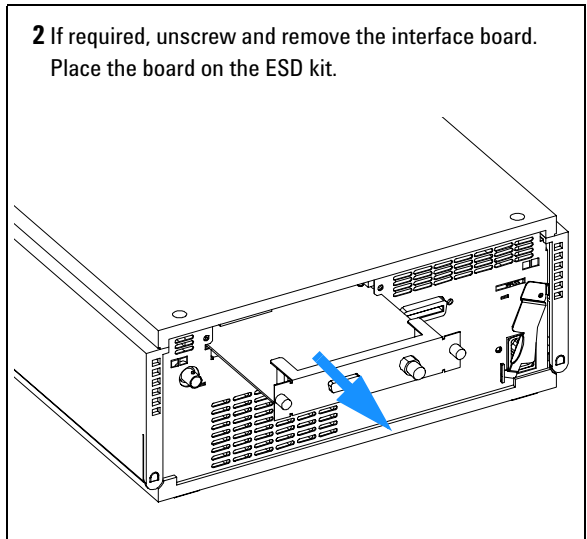
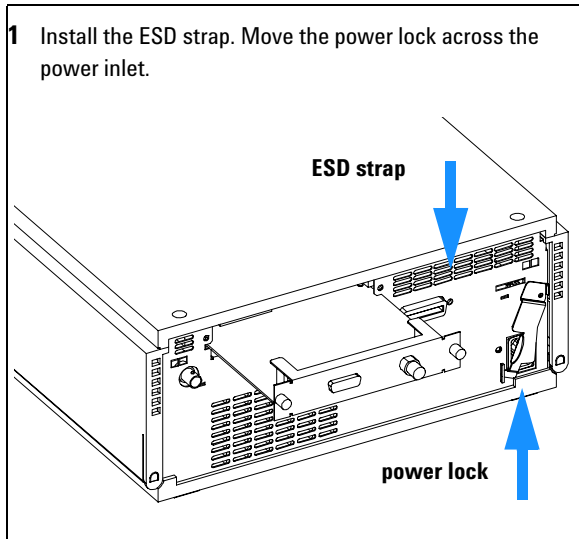


Figure 33 Replacing Waste Handling System Parts

Replacing the Interface Board

When required	When defective or for installation of the board or for all repairs inside the detector.
Part required	Interface board (BCD) G1351-68701 with external contacts and BCD outputs. LAN Communication Interface board G1369A or G1369-60001.
Tools required	None



3 If required, insert the interface board and fix the screws.

Next steps:

- Remove the ESD strap.
- Reinstall the module into the stack.

Replacing the Detector's Firmware

When required	If new version solves problems of currently installed version or after exchange of the detector main board (VWM) the version on board is older than previous installed one.
Tools required	LAN/RS-232 Firmware Update Tool, or Instant Pilot G4208A or Control Module G1323B
Parts required	Firmware, tools and documentation from Agilent web site
Preparations	Read update documentation provided with the Firmware Update Tool.

The installation of *older* firmware might be necessary:

- to keep all systems on the same (validated) revision, or
- if third part control software requires a special version.

To upgrade/downgrade the detector's firmware the following steps have to be performed:

- 1 Download the module's firmware, the LAN/RS-232 FW Update Tool Version 2.00 or above and the documentation from the Agilent web http://www.chem.agilent.com/scripts/cag_firmware.asp.
- 2 Load the firmware into the detector as described in the documentation.

NOTE

The G1314C VWD-SL requires firmware revision A.06.02 or above (main and resident).

Tests & Calibrations

The following tests are required after maintenance of lamps and flow cells:

- ["Intensity Test"](#) on page 102.
- ["Wavelength Verification/Calibration"](#) on page 104.
- ["Holmium Oxide Test"](#) on page 105.

Intensity Test

The intensity test measures the intensity of the deuterium lamp over the full VWD wavelength range (190 – 600 nm). The test can be used to determine the performance of the lamp, and to check for dirty or contaminated flow cell windows. When the test is started, the gain is set to zero. To eliminate effects due to absorbing solvents, the test should be done with water in the flow cell. The shape of the intensity spectrum is primarily dependent on the lamp, grating, and diode characteristics. Therefore, intensity spectra will differ slightly between instruments. [Figure 34](#) shows a typical intensity test spectrum.

Intensity Test Evaluation (Agilent ChemStation only)

The Agilent ChemStation evaluates three values automatically and displays the limits for each value, the average, the minimum and the maximum of all data points and *passed* or *failed* for each value.

Test Failed

Probable Causes

- Absorbing solvent in flow cell.
- Dirty or contaminated flow cell.
- Dirty or contaminated optical components (source lens, mirrors, grating).
- Old or non-Agilent lamp.

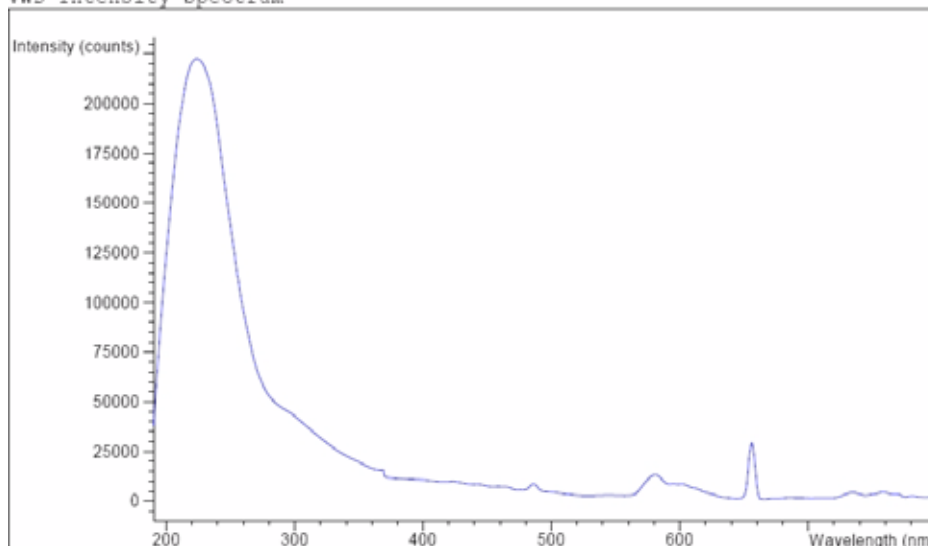
Suggested Actions

- ✓ Ensure the flow cell is filled with water.
- ✓ Repeat the test with the flow cell removed. If the test passes, exchange the flow cell windows.
- ✓ Clean/replace optical components.
- ✓ Exchange the lamp.

```

Instrument:      G1314B
Serial Number:   JP33324886
Operator:        Wolfgang
Date:           03.01.2006
Time:           15:07:09
File:           C:\CHEM32\2\DIAGNOSE\VWD_INT.DGR
    
```

VWD Intensity Spectrum



VWD Intensity Test Results

	Specification	Measured	Result
Accumulated lamp on time		94.35 h	
Highest intensity	> 10000 cts	222615 cts	Passed
Average intensity	> 5000 cts	29734 cts	Passed
Lowest intensity	> 200 cts	1137 cts	Passed

Figure 34 Intensity Test (Report)

Wavelength Verification/Calibration

Wavelength calibration of the detector is done using the zero-order position and 656 nm emission line position of the deuterium lamp. The calibration procedure involves two steps. First the grating is calibrated on the zero-order position. The stepper-motor step position where the zero-order maximum is detected is stored in the detector. Next, the grating is calibrated against the deuterium emission-line at 656 nm, and the motor position at which the maximum occurs is stored in the detector.

In addition to the zero-order and 656 nm (alpha-emission line) calibration, the beta-emission line at 486 nm and the three holmium lines are used for the complete wavelength calibration process. These holmium lines are at 360.8 nm, 418.5 nm and 536.4 nm.

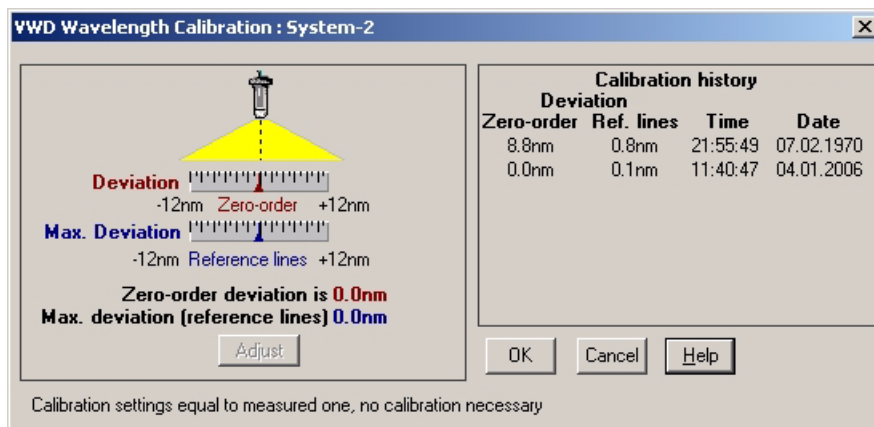


Figure 35 Wavelength Verification/Calibration

NOTE

The wavelength verification/calibration takes about 2.5 minutes and is disabled within the first 10 minutes after ignition of the lamp because initial drift may distort the measurement.

When the lamp is turned ON, the 656 nm emission line position of the deuterium lamp is checked automatically.

Holmium Oxide Test

This test verifies the calibration of the detector against the three wavelength maxima of the built-in holmium oxide filter. The test displays the difference between the expected and measured maxima. [Figure 36](#) shows a holmium test spectrum.

The test uses the following holmium maxima:

- 360.8 nm
- 418.5 nm
- 536.4 nm

NOTE

See also "[Declaration of Conformity for HOX2 Filter](#)" on page 129.

When to do the Test

- after recalibration,
- as part of the Operational Qualification/Performance Verification procedure, or
- after flow cell maintenance or repair.

Interpreting the Results

The test is passed successfully when all three wavelengths are within ± 1 nm of the expected value. This indicates the detector is calibrated correctly.

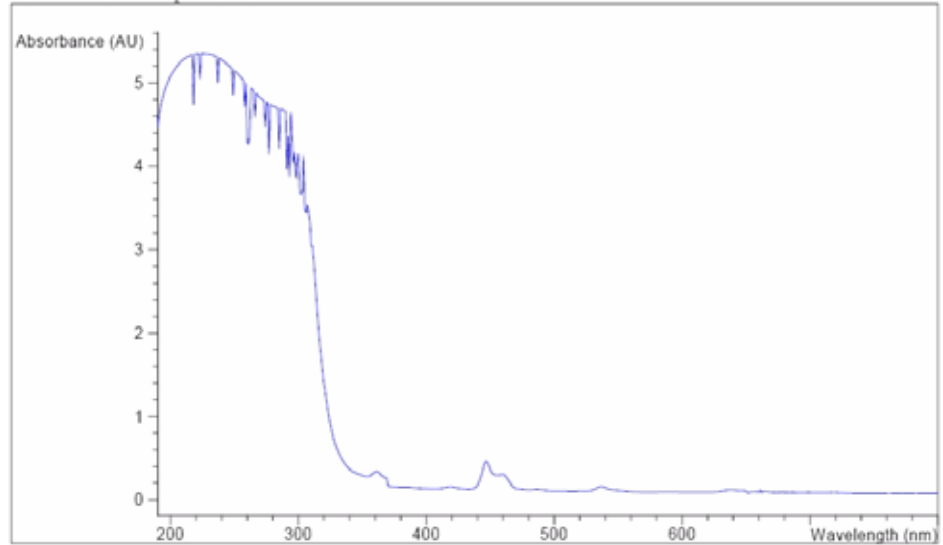
NOTE

The test results are currently available on the Agilent ChemStation only.

ChemStation revisions below B.01.xx show a limit of ± 2 nm. It should read ± 1 nm. If the test shows a value greater than ± 1 nm, perform a recalibration.

Instrument: G1314B
 Serial Number: JP33324886
 Operator: Wolfgang
 Date: 03.01.2006
 Time: 15:26:41
 File: C:\CHEM32\2\DIAGNOSE\VWD_HOLM.DGR

VWD Holmium Spectrum



VWD Holmium Test Results

	Specification	Measured	Result
Deviation from wavelength 1: 360.8 nm	-1.1 nm	0.0 nm	Passed
Deviation from wavelength 2: 418.5 nm	-1.1 nm	0.1 nm	Passed
Deviation from wavelength 3: 536.4 nm	-1.1 nm	0.0 nm	Passed

Figure 36 Holmium Test (Report)

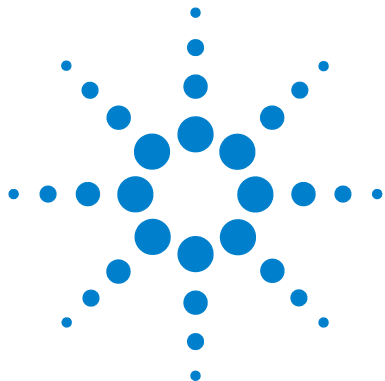
Holmium Oxide Test Failed

Probable Causes

- Detector not calibrated.
- Dirty or defective flow cell.
- Dirty or defective holmium oxide filter.
- Optical misalignment.

Suggested Actions

- ✓ Re-calibrate the detector.
- ✓ Repeat the test with the flow cell removed. If the test is OK, exchange the flow cell components.
- ✓ Run the holmium oxide filter test. If the test fails, exchange the filter assembly.
- ✓ Realign the optical components.



9 Parts and Materials for Maintenance

Overview of Maintenance Parts	110
Standard Flow Cell	111
Micro Flow Cell	112
Semi-micro Flow Cell	113
High Pressure Flow Cell	115
Cuvette Holder	116
Leak Parts	117
Accessory Kit	118

This chapter provides information on parts for maintenance.



Overview of Maintenance Parts

Table 15 Maintenance Parts

Item	Description	Part Number
	Cable CAN assembly 0.5 m	5181-1516
	Cable CAN assembly 1 m	5181-1519
	Interface board BCD/External Contacts	G1351-68701
	LAN Communication Interface board	G1369A or G1369-60001
	Control Module G1323B (Note: The G1314C VWD-SL can be operated with a G1323B just in standard mode as G1314B - no higher data rate available) or Instant Pilot G4208A	G1323-67001 G4208-67001
	Deuterium lamp	G1314-60100
	Standard flow cell, 10 mm 14 μ l, additional flow cell parts, see page 111	G1314-60086
	Micro flow cell, 5 mm 1 μ l, additional flow cell parts, see page 112	G1314-60081
	High pressure flow cell, 10 mm 14 μ l, additional flow cell parts, see page 115	G1314-60082
	Semi-micro flow cell, 6 mm 5 μ l, additional flow cell parts, see page 113	G1314-60083
	Cuvette Holder	G1314-60200
	Front cover	5065-9982
	Leak handling parts	see page 117

Standard Flow Cell

Table 16 Standard Flow Cell Assembly

Item	Description	Part Number
	Standard Flow Cell, 10 mm, 14 μ l, 40 bar	G1314-60086
1	Cell screw kit, quantity=2	G1314-65062
2	Conical spring kit, quantity=10	79853-29100
3	Ring #1 PEEK kit, quantity=2	G1314-65065
4	Gasket #1 (small hole), KAPTON, quantity=10	G1314-65063
5	Window quartz kit, quantity=2	79853-68742
6	Gasket #2 (large hole), KAPTON, quantity=10	G1314-65064
7	Ring #2 PEEK kit, quantity=2	G1314-65066

- 1 - Cell Screw
- 2 - Conical Springs
- 3 - Ring #1 PEEK
- 4 - Gasket #1 (small hole)
- 5 - Window Quartz
- 6 - Gasket #2 (large hole)
- 7 - Ring #2 PEEK

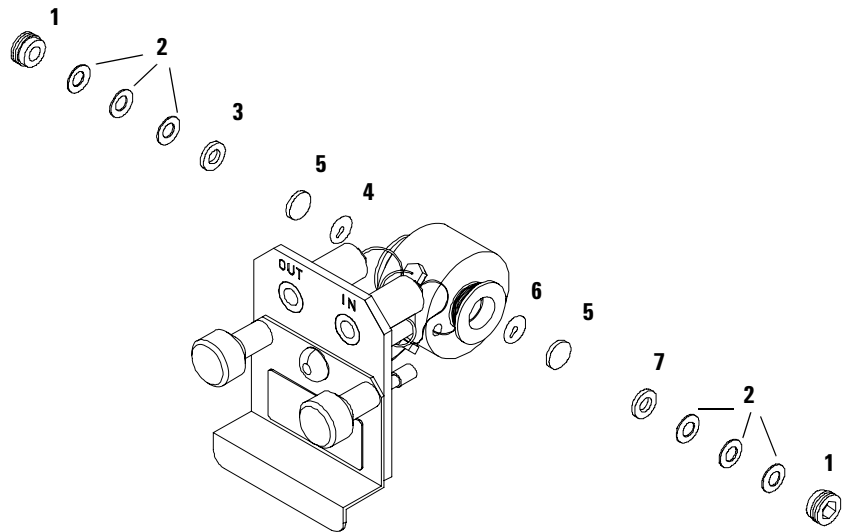


Figure 37 Standard Flow Cell

Micro Flow Cell

Table 17 Micro Flow Cell Assembly

Item	Description	Part Number
	Micro flow cell, 5 mm, 1 µl, 40 bar	G1314-60081
	Capillary column – detector SST 400 mm lg, 0.12 i.d.	5021-1823
1	Cell screw	79853-27200
	Cell kit micro, comprises: two windows, two gaskets #1 and two gaskets #2	G1314-65052
2	Conical spring kit, quantity=10	79853-29100
3	Ring SST kit, quantity=2	79853-22500
4	Window quartz kit, quantity=2	79853-68742
5	Gasket #1, PTFE, quantity=10	79853-68743
6	Gasket #2, PTFE, quantity=10	G1314-65053

- 1 - Cell Screw
- 2 - Conical Springs
- 3 - Ring SST
- 4 - Gasket #1
- 5 - Window Quartz
- 6 - Gasket #2

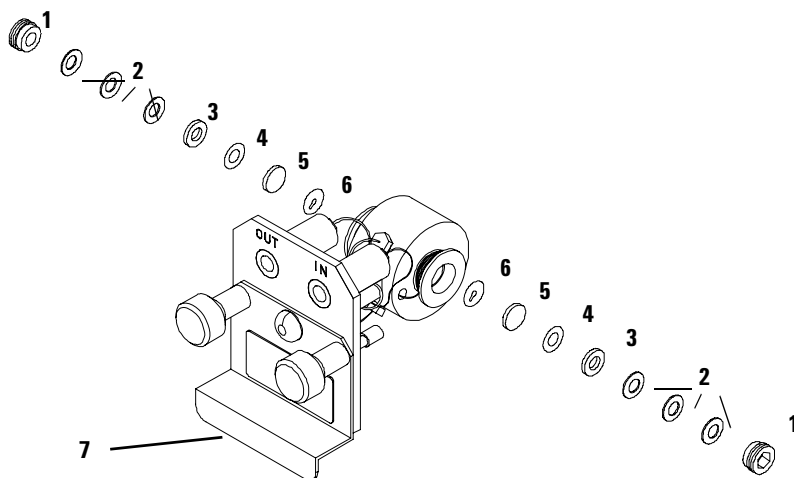


Figure 38 Micro Flow Cell

Semi-micro Flow Cell

Table 18 Semi-micro Flow Cell Assembly

Item	Description	Part Number
	Semi-micro flow cell assembly, 6 mm, 5 μ l, 40 bar	G1314-60083
1	Cell screw	79853-27200
	Semi-micro cell kit, consisting of: two windows, two #1 standard gaskets, one #1 semi-micro gasket and one #2 semi-micro gasket.	G1314-65056
2	Conical springs, (pack of 10)	79853-29100
3	Ring SST, (pack of 2)	79853-22500
4	PTFE #1 standard gasket, (pack of 10)	79853-68743
5	Quartz window, (pack of 2)	79853-68742
6	Semi-micro #1 gasket, PTFE, (pack of 10)	G1314-65057
7	Semi-micro #2 gasket, PTFE, (pack of 10)	G1314-65058
	Inlet capillary, 400 mm long, 0.12 mm i.d.	5021-1823

NOTE

The semi-micro #1 and #2 gaskets (items 6 and 7) look very similar. Do not mix them up.

9 Parts and Materials for Maintenance

- 1 - Cell screw
- 2 - Conical springs
- 3 - Ring SST
- 4 - Gasket #1
- 5 - Quartz window
- 6 - Semi-micro gasket #1
- 7 - Semi-micro gasket #2

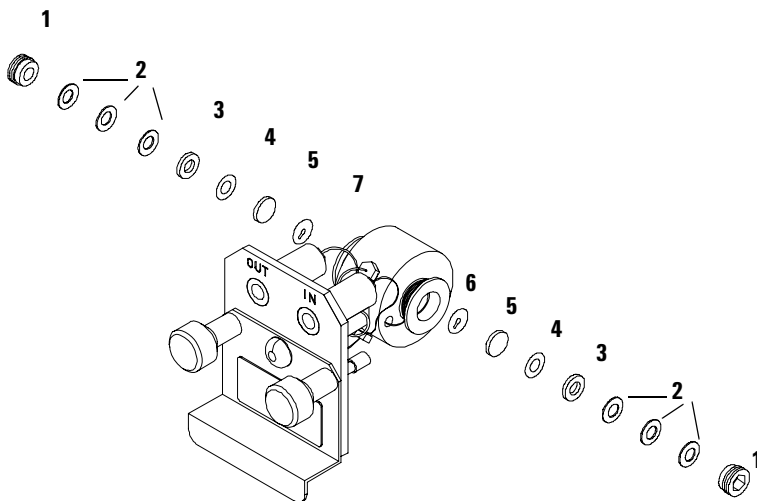


Figure 39 Semi-micro Flow Cell

High Pressure Flow Cell

Table 19 High Pressure Flow Cell Assembly

Item	Description	Part Number
	High pressure flow cell, 10 mm, 14 μ l, 400 bar	G1314-60082
	Capillary column–detector SST 380 mm lg, 0.17 i.d. (one side not assembled)	G1315-87311
1	Cell screw	79853-27200
	Cell kit Agilent, comprises: two windows, two KAPTON gaskets and two PEEK rings	G1314-65054
2	Ring PEEK kit, quantity=2	79853-68739
3	Window quartz kit, quantity=2	79853-68734
4	Gasket kit, KAPTON, quantity=10	G1314-65055

1 - Cell screw

2 - Ring PEEK

3 - Window quartz

4 - Gasket KAPTON

5 - Cell Cover

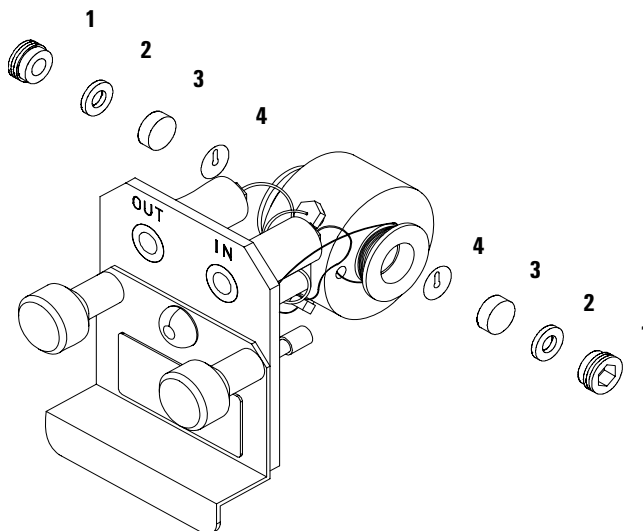


Figure 40 High Pressure Flow Cell

Cuvette Holder

Table 20 Cuvette Holder

Item	Description	Part Number
	Cuvette Holder	G1314-60200

For information the use of the cuvette holder, refer to “Using the Cuvette Holder” on page 94.

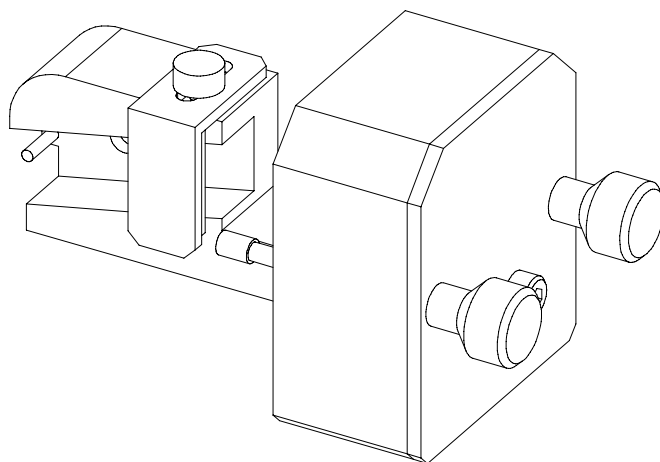


Figure 41 Cuvette Holder

Leak Parts

Table 21 Leak Parts

Item	Description	Part Number
3	Leak funnel	5041-8388
4	Leak funnel holder	5041-8389
5	Clip	5041-8387
6	Corrugated tubing, 120 mm lg, re-order 5 m	5062-2463
7	Corrugated tubing, 1200 mm lg, re-order 5 m	5062-2463

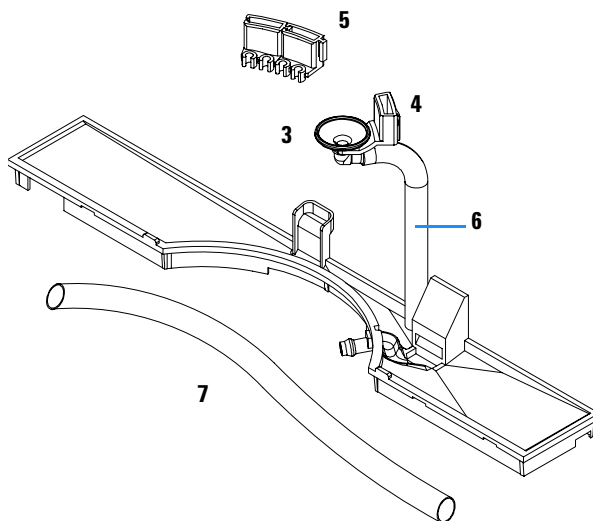


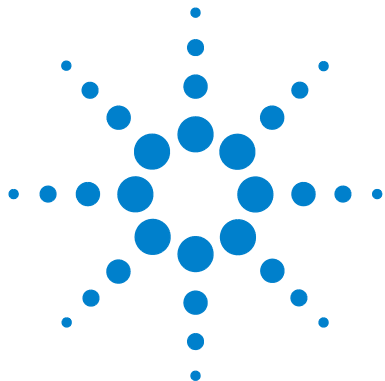
Figure 42 Leak Parts

Accessory Kit

This kit contains some accessories and tools needed for the installation and repair of the detector.

Table 22 Accessory Kit Parts

Description	Part Number
Accessory kit	G1314-68705
Corrugated tubing (to waste), re-order 5 m	5062-2463
Peek outlet capillary kit, i.d. is 0.25 mm (PEEK)	5062-8535
Fitting male PEEK, quantity=1	0100-1516
Hex key 1.5 mm	8710-2393
Hex key 4 mm	8710-2392
Wrench open end 1/4–5/16 inch	8710-0510
Wrench open end 4 mm	8710-1534



A Appendix

General Safety Information	120
Lithium Batteries Information	123
Radio Interference	124
Sound Emission	125
UV-Radiation	126
Solvent Information	127
Declaration of Conformity for HOX2 Filter	129
Agilent Technologies on Internet	130

This chapter provides addition information on safety, legal and web.



General Safety Information

The following general safety precautions must be observed during all phases of operation, service, and repair of this instrument. Failure to comply with these precautions or with specific warnings elsewhere in this manual violates safety standards of design, manufacture, and intended use of the instrument. Agilent Technologies assumes no liability for the customer's failure to comply with these requirements.

General

This is a Safety Class I instrument (provided with terminal for protective earthing) and has been manufactured and tested according to international safety standards.

This instrument is designed and certified as a general purpose laboratory instrument for research and routine application only. It is not certified for in-vitro or medical applications.

Operation

Before applying power, comply with the installation section. Additionally the following must be observed.

Do not remove instrument covers when operating. Before the instrument is switched on, all protective earth terminals, extension cords, auto-transformers, and devices connected to it must be connected to a protective earth via a ground socket. Any interruption of the protective earth grounding will cause a potential shock hazard that could result in serious personal injury. Whenever it is likely that the protection has been impaired, the instrument must be made inoperative and be secured against any intended operation.

Make sure that only fuses with the required rated current and of the specified type (normal blow, time delay, and so on) are used for replacement. The use of repaired fuses and the short-circuiting of fuse holders must be avoided.

CAUTION

The operator of this instrument is advised that if the equipment is used in a manner not specified in this manual, the protection provided by the equipment may be impaired.

Some adjustments described in the manual, are made with power supplied to the instrument, and protective covers removed. Energy available at many points may, if contacted, result in personal injury.

Any adjustment, maintenance, and repair of the opened instrument under voltage should be avoided as much as possible. When inevitable, this should be carried out by a skilled person who is aware of the hazard involved. Do not attempt internal service or adjustment unless another person, capable of rendering first aid and resuscitation, is present. Do not replace components with power cable connected.

Do not operate the instrument in the presence of flammable gases or fumes. Operation of any electrical instrument in such an environment constitutes a definite safety hazard.





Do not install substitute parts or make any unauthorized modification to the instrument.

Capacitors inside the instrument may still be charged, even though the instrument has been disconnected from its source of supply. Dangerous voltages, capable of causing serious personal injury, are present in this instrument. Use extreme caution when handling, testing and adjusting.

Safety Symbols

Table 23 shows safety symbols used on the instrument and in the manuals.

Table 23 Safety Symbols

Symbol	Description
	The apparatus is marked with this symbol when the user should refer to the instruction manual in order to protect the apparatus against damage.
	Indicates dangerous voltages.
	Indicates a protected ground terminal.
	Indicates eye damage may result from directly viewing the light produced by the deuterium lamp used in this product.

WARNING

A warning alerts you to situations that could cause physical injury or damage to the equipment. Do not proceed beyond a warning until you have fully understood and met the indicated conditions.

CAUTION

A caution alerts you to situations that could cause a possible loss of data. Do not proceed beyond a caution until you have fully understood and met the indicated conditions.

Lithium Batteries Information

WARNING

Danger of explosion if battery is incorrectly replaced. Replace only with the same or equivalent type recommended by the equipment manufacturer. Lithium batteries may not be disposed-off into the domestic waste.

Transportation of discharged Lithium batteries through carriers regulated by IATA/ICAO, ADR, RID, IMDG is not allowed. Discharged Lithium batteries shall be disposed off locally according to national waste disposal regulations for batteries.

WARNING

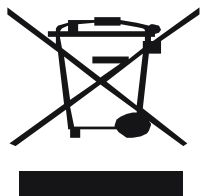
Lithium batteri - Eksplosionsfare ved fejlagtig håndtering. Udskiftning må kun ske med batteri af samme fabrikat og type. Lever det brugte batteri tilbage til leverandøren.

WARNING

Lithiumbatteri - Eksplosionsfare. Ved udskiftning benyttes kun batteri som anbefalt av apparatfabrikanten. Brukt batteri returneres apparatleverandøren.

NOTE

Bij dit apparaat zijn batterijen geleverd. Wanneer deze leeg zijn, moet u ze niet weggooien maar inleveren als KCA.



Radio Interference

Never use cables other than the ones supplied by Agilent Technologies to ensure proper functionality and compliance with safety or EMC regulations.

Test and Measurement

If test and measurement equipment is operated with equipment unscreened cables and/or used for measurements on open set-ups, the user has to assure that under operating conditions the radio interference limits are still met within the premises.

Sound Emission

Manufacturer's Declaration

This statement is provided to comply with the requirements of the German Sound Emission Directive of 18 January 1991.

This product has a sound pressure emission (at the operator position) < 70 dB.

- Sound Pressure $L_p < 70$ dB (A)
- At Operator Position
- Normal Operation
- According to ISO 7779:1988/EN 27779/1991 (Type Test)

UV-Radiation

Emissions of ultraviolet radiation (200-315 nm) from this product is limited such that radiant exposure incident upon the unprotected skin or eye of operator or service personnel is limited to the following TLVs (Threshold Limit Values) according to the American Conference of Governmental Industrial Hygienists:

Table 24 UV-Radiation Limits

Exposure/day	Effective Irradiance
8 hours	0.1 $\mu\text{W}/\text{cm}^2$
10 minutes	5.0 $\mu\text{W}/\text{cm}^2$

Typically the radiation values are much smaller than these limits:

Table 25 UV-Radiation Typical Values

Position	Effective Irradiance
Lamp installed, 50-cm distance	average 0.016 $\mu\text{W}/\text{cm}^2$
Lamp installed, 50-cm distance	maximum 0.14 $\mu\text{W}/\text{cm}^2$

Solvent Information

Observe the following recommendations on the use of solvents.

Flow Cell

Avoid the use of alkaline solutions (pH > 9.5) which can attack quartz and thus impair the optical properties of the flow cell.

Prevent any crystallization of buffer solutions. This will lead into a blockage/damage of the flow cell.

If the flow cell is transported while temperatures are below 5 degree C, it must be assured that the cell is filled with alcohol.

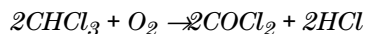
Aqueous solvents in the flow cell can build up algae. Therefore do not leave aqueous solvents sitting in the flow cell. Add small % of organic solvents (e.g. Acetonitrile or Methanol ~5%).

Solvents

Brown glass ware can avoid growth of algae.

Always filter solvents, small particles can permanently block the capillaries. Avoid the use of the following steel-corrosive solvents:

- Solutions of alkali halides and their respective acids (for example, lithium iodide, potassium chloride, and so on).
- High concentrations of inorganic acids like nitric acid, sulfuric acid especially at higher temperatures (replace, if your chromatography method allows, by phosphoric acid or phosphate buffer which are less corrosive against stainless steel).
- Halogenated solvents or mixtures which form radicals and/or acids, for example:

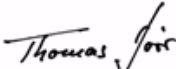
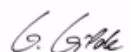




This reaction, in which stainless steel probably acts as a catalyst, occurs quickly with dried chloroform if the drying process removes the stabilizing alcohol.

A Appendix

- Chromatographic grade ethers, which can contain peroxides (for example, THF, dioxane, di-isopropylether) such ethers should be filtered through dry aluminium oxide which adsorbs the peroxides.
- Solutions of organic acids (acetic acid, formic acid, and so on) in organic solvents. For example, a 1-% solution of acetic acid in methanol will attack steel.
- Solutions containing strong complexing agents (for example, EDTA, ethylene diamine tetra-acetic acid).
- Mixtures of carbon tetrachloride with 2-propanol or THF.

Declaration of Conformity for HOX2 Filter

Declaration of Conformity				
We herewith inform you that the				
Holmium Oxide Glass Filter (Type Hoya HV-1) (Part No. 79880-22711)				
meets the following specification of absorbance maxima positions:				
Product Number	Series	Measured Wavelength *	Wavelength Accuracy	Optical Bandwidth
79883A	1090	361.0 nm	+/- 1 nm	2 nm
79854A	1050	418.9 nm		
G1306A	1050	453.7 nm		
G1315A	1100	536.7 nm		
G1315B/C	1100 / 1200			
G1600				
79853C	1050	360.8nm 418.5nm 536.4nm	+/- 2 nm	6 nm
G1314A/B/C	1100 / 1200	360.8nm 418.5nm 536.4nm	+/- 1 nm	6 nm
*) The variation in Measured Wavelength depends on the different Optical Bandwidth.				
Agilent Technologies guarantees the trace ability of the specified absorbance maxima to a National Institute of Standards & Technology (NIST) Holmium Oxide Solution Standard with a lot-to-lot tolerance of ± 0.3 nm.				
The wavelength calibration filter built into the Agilent Technologies UV-VIS detectors is made of this material and meets these specifications. It is, therefore, suitable for wavelength calibration of these detectors within the specified wavelength accuracy of the respective detector over its wavelength range.				
January 13, 2006 ----- (Date)				
 ----- (Engineering Manager)		 ----- (Quality Manager)		
P/N 89550-90501 		Revision: E Effective by: Jan 13, 2006		

Agilent Technologies on Internet

For the latest information on products and services visit our worldwide web site on the Internet at:

<http://www.agilent.com>

Select **“Products”** - **“Chemical Analysis”**

It will provide also the latest firmware of the Agilent 1200 Series modules for download.

Index

A

absorbance
 Beer-Lambert, 67
 accessory kit (parts), 118
 Agilent
 ChemStation, 45
 LC diagnostic software, 76
 on internet, 130
 Agilent on internet, 130
 algea information, 127
 analog
 output range, 55, 59
 output settings, 59
 ASTM
 environmental conditions, 23
 reference and conditions, 26
 attenuation, 50
 autobalance, 50
 automatic turn on, 55

B

band width 6.5 nm, 25
 battery
 safety information, 123
 beam splitter, 14
 Beer-Lambert (law), 67
 bench space, 23
 boards
 photodiode boards (ADC), 14

C

cable
 connecting APG remote, 32
 connecting CAN, 32
 connecting GPIB, 32
 connecting LAN, 32
 connecting the analog, 34
 connecting the APG remote, 34
 connecting the CAN, 34
 connecting the ChemStation, 32
 connecting the LAN, 34
 connecting the power, 32, 34
 CAN

connecting interface, 34
 cautions and warnings, 79
 chromatogram, 44
 configuration
 stack, 30
 connector locations at rear, 34
 control module G1323B, 10, 75
 correction factors for flow cells, 68
 cutoff filter, 13
 cuvette holder, 94

D

data rate, 62, 69
 declaration of conformity, 129
 delivery checklist, 28
 detection type, 25
 diagnostic
 signals, 72
 dimensions, 24
 drift, 25, 47
 initial, 52

E

electrical connections
 descriptions of, 15
 EMF (early maintenance feedback), 18
 enable analysis when lamp is off, 60
 entrance slit assembly, 13
 environment, 23
 error messages, 72
 ESD (electrostatic discharge) strap, 81
 exchange
 interface board, 99

F

features, 10
 GLP, 26
 instrument layout, 17
 safety and maintenance, 26
 firmware
 updates, 100
 flow cell, 12
 choosing, 66

correction factors, 68
 cuvette holder (parts), 116
 high pressure (parts), 115
 micro (parts), 112
 path length, 68
 semimicro (parts), 113
 standard (parts), 111
 types and data, 12, 25
 front of detector, 33

G

grating
 assembly, 14

H

holmium oxide
 declaration of conformity, 129
 filter, 13

I

information
 on cuvette holder, 94
 on lithium batteries, 123
 on radio interference, 124
 on solvents, 127
 on sound emission, 125
 on UV-radiation, 126
 installation
 of flow connections, 36
 of module, 33
 instant pilot, 75
 instrument layout, 17
 internet, 130
 introduction, 10
 to optical system, 11
 isocratic test sample, 54

L

lamp, 13
 initial drift, 52
 intensity test, 102
 type, 25, 55

Index

- leak
 - correcting, 97
 - panels (parts), 117
- line
 - power consumption, 24
 - voltage and frequency, 24
- linearity, 25, 26
- M**
- maintenance, 83
 - cleaning the instrument, 80
 - correcting leaks, 97
 - exchanging flow cell, 87
 - exchanging interface board, 99
 - exchanging lamps, 85
 - exchanging leak handling system, 98
 - for parts see 'parts for maintenance', 109
 - introduction, 77
 - overview, 84
 - replacing firmware, 100
 - simple repairs, 78
 - standard flow cell, 90
 - using the cuvette holder, 94
 - using the ESD strap, 81
- method
 - error, 55
 - load, 48
- mirror
 - assemblies, 14
- N**
- negative absorbance, margins, 60
- noise, short term, 25
- O**
- online plot, 52
- online spectra, 56
- operating temperature, 24
- optical unit
 - beam splitter assembly, 14
 - entrance slit assembly, 13
 - filter, 13
 - filter assembly, 13
 - flow cell, 12
 - grating assembly, 14
- lamp, 13
- mirrors, 14
- photodiode assemblies, 14
- photodiode boards, 14
- source lens assembly, 13
- optimization
 - detector performance, 66
 - of the system, 44
- overview
 - optical path, 11
 - optical system, 11
 - system overview, 11
- P**
- parameters
 - detector, 49
- parts
 - and materials for maintenance, 109
- parts for maintenance
 - accessory kit, 118
 - cuvette holder, 116
 - high pressure flow cell, 115
 - leak panels, 117
 - micro flow cell, 112
 - overview of maintenance parts, 110
 - semimicro flow cell, 113
 - standard flow cell, 111
- peakwidth
 - settings, 50, 61, 69
- performance
 - optimization, 66
 - specifications, 25
- photodiode
 - assemblies, 14
 - boards, 14
- photometric accuracy, 68
- physical specifications, 24
 - humidity, 24
 - line voltage and frequency, 24
 - operating temperature, 24
 - power consumption, 24
 - safety information, 24
 - weight and dimensions, 24
- power
 - considerations, 22
 - consumption, 24
 - cords, 22
- preparing the HPLC system, 45
- R**
- radio interference, 124
- rear of detector, 34
- recalibration of wavelength, 72
- reference conditions, 26
- repairs
 - cleaning the instrument, 80
 - introduction, 77
 - of internal parts, 78
 - overview of simple repairs, 84
 - simple maintenance, 78
 - simple repairs see 'maintenance', 83
 - using the ESD strap, 81
- replacing
 - firmware, 100
- response time, 62, 69
- running the sample, 54
- S**
- safety
 - class I instrument, 120
 - general information, 120
 - lithium batteries, 123
 - symbols, 122
- sample info, 53
- scan range / step, 60
- scanning, 57
- setting up an analysis, 40
- settings
 - analog output settings, 59
 - peakwidth, 61
- setup of detector, 49
- signal
 - plot, 51
 - polarity, 60
- signals
 - additional (diagnostics), 50
 - diagnostic, 72
- site requirements, 22
 - bench space, 23
 - environment, 23
 - power considerations, 22
 - power cords, 22
- solvent information, 127
- sound emission, 125
- source lens assembly, 13
- special setpoints, 50, 60

special settings, 55
 specifications
 performance, 25
 physical, 24
 spectra
 online, 56
 stable baseline, 47
 stack configuration, 30, 32
 rear view, 32
 standards, 24
 status indicators, 72, 74
 stop time, post time, 50
 stop-flow condition, 56

T

test functions, 72
 tests
 holmium oxide, holmium oxide
 test, 105
 intensity of lamp, 102
 wavelength calibration, 104
 time table, 50
 troubleshooting
 Agilent LC diagnostic software, 76
 diagnostic signals, 72
 error messages, 72
 overview, 72
 status indicator, 74
 status indicators, 72, 73
 test functions, 72
 user interfaces, 75
 turn on, automatic, 55

U

unpacking, 28
 user interfaces
 ChemStation, Control Module, Instant
 Pilot, 75
 using
 additional signals (diagnostics), 50
 Agilent ChemStation, 45
 analog output range, 55
 analog output settings, 59
 at power on, 55
 attenuation, 50
 autobalance, 50
 automatic turn on, 55

data rate, 62
 detector parameters, 49
 drift, 47
 EMF, 18
 enable analysis when lamp is off, 60
 error method, 55
 isocratic test sample, 54
 lamp type, 55
 load method, 48
 negative absorbance, margins, 60
 online plot, 52
 online spectra, 56
 peakwidth setting, 50
 peakwidth settings, 61
 preparing the HPLC system, 45
 priming and purging the system, 40
 requirements and conditions, 42
 response time, 62
 running the sample, 54
 sample info, 53
 scan range / step, 60
 scanning, 57
 setting up an analysis, 40
 setup of detector, 49
 signal plot, 51
 signal polarity, 60
 special setpoints, 50, 60
 special settings, 55
 stable baseline, 47
 stop and post time, 50
 stop-flow condition, 56
 the cuvette holder, 94
 the detector, 39
 time table, 50
 turn on, 46
 typical chromatogram, 44
 warm up, 47
 zero offset, 50
 UV-radiation, 126

W

warm up, 47
 warnings and cautions, 79
 wavelength
 accuracy, 25
 calibration, 104
 range 190-600 nm, 25
 recalibration, 72

weight, 24

Z

zero offset, 50

www.agilent.com

In This Book

This manual contains the technical reference information about the Agilent 1200 Series variable wavelength detector.

The manual describes the following:

- introduction and specifications,
- installation,
- using and optimizing,
- troubleshooting overview,
- maintenance,
- parts identification,
- safety and related information.

© Agilent Technologies 2006

Printed in Germany
02/06



G1314-90010



Agilent Technologies